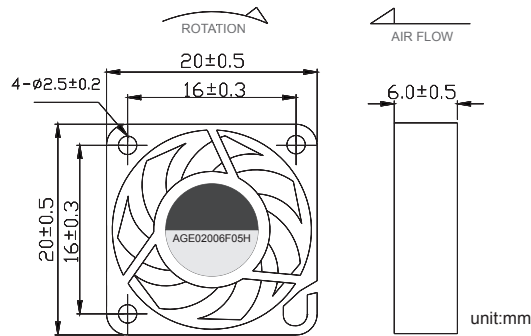
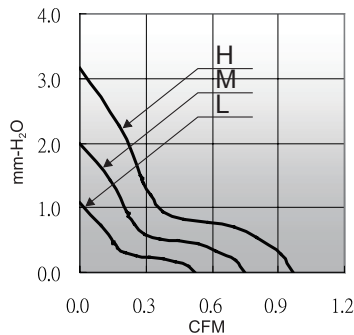


DC FAN Motor AG-series

□20×20×6mm

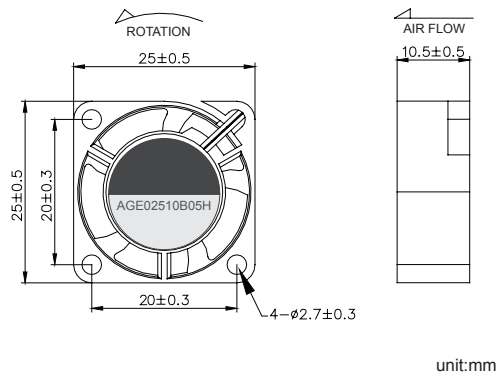
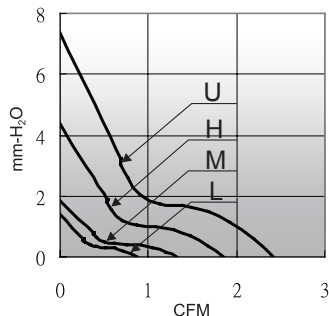
Model	*Bearing System	Rated Voltage	Operating Voltage Range	Rated Current	Rated Speed	Maximum Air Flow		Maximum Static Pressure		Sound Level	Weight
Part NO.	B / S / F	V	V	A	RPM	m ³ /min	CFM	mm-H ₂ O	In-H ₂ O	dBA	g
AGE02006_05L	F	5	4.5~5.5	0.07	7000	0.01	0.35	1.1	0.04	22.3	4
AGE02006_12L	F	12	7.0~13.2	0.06	7000	0.01	0.35	1.1	0.04	22.3	4
AGE02006_05M	F	5	4.5~5.5	0.09	10000	0.02	0.71	1.9	0.07	29.0	4
AGE02006_12M	F	12	7.0~13.2	0.08	10000	0.02	0.71	1.9	0.07	29.0	4
AGE02006_05H	F	5	4.5~5.5	0.11	13000	0.03	1.06	3.2	0.12	32.0	4
AGE02006_12H	F	12	7.0~13.2	0.09	13000	0.03	1.06	3.2	0.12	32.0	4



DC FAN Motor AG-series

□25×25×10mm

Model	*Bearing System	Rated Voltage	Operating Voltage Range	Rated Current	Rated Speed	Maximum Air Flow		Maximum Static Pressure		Sound Level	Weight
Part NO.	B / S / F	V	V	A	RPM	m ³ /min	CFM	mm-H ₂ O	In-H ₂ O	dBA	g
AGE02510_05L	B / S	5	4.5~5.5	0.12	6000	0.02	0.88	1.4	0.05	18.0	7
AGE02510_12L	B / S	12	7.0~13.2	0.06	6000	0.02	0.88	1.4	0.05	18.0	7
AGE02510_05M	B / S	5	4.5~5.5	0.13	7000	0.04	1.32	1.9	0.07	20.0	7
AGE02510_12M	B / S	12	6.0~13.8	0.07	7000	0.04	1.32	1.9	0.07	20.0	7
AGE02510_05H	B / S	5	4.5~5.5	0.16	10000	0.05	1.85	4.4	0.17	23.5	7
AGE02510_12H	B / S	12	6.0~13.8	0.08	10000	0.05	1.85	4.4	0.17	23.5	7
AGE02510_05U	B / S	5	4.5~5.5	0.22	13000	0.07	2.41	7.3	0.29	28.0	7
AGE02510_12U	B / S	12	6.0~13.8	0.12	13000	0.07	2.41	7.3	0.29	28.0	7



Japan Magnets, Inc

Head Office / Japan Bldg 4F, 1-1646-2, Kamikawa, Suwa, Nagano, Japan zipcode 392-0021

Tel /+81-266-56-1021

Fax /+81-266-56-1430

HP / <http://www.jmi-motion.com>