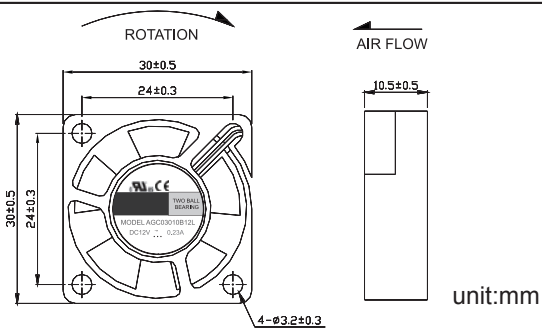
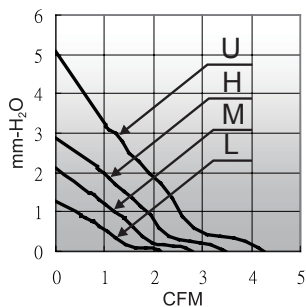


### DC FAN Motor AG-series

### □30×30×10mm

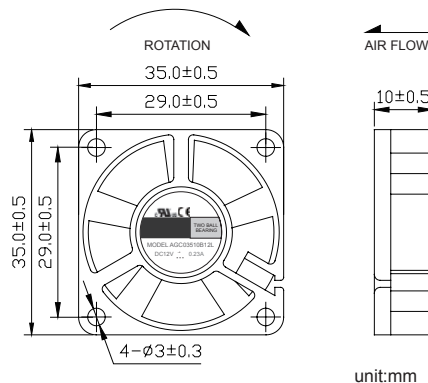
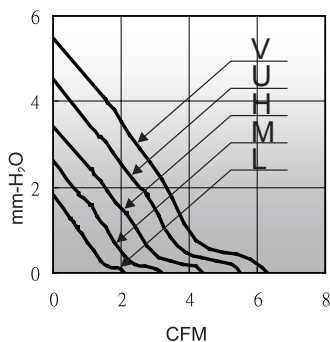
Model	*Bearing System	Rated Voltage	Operating Voltage Range	Rated Current	Rated Speed	Maximum Air Flow		Maximum Static Pressure		Sound Level	Weight
Part NO.	B / S / F	V	V	A	RPM	m <sup>3</sup> /min	CFM	mm-H <sub>2</sub> O	In-H <sub>2</sub> O	dBA	g
AGE03010_05L	B / S / F	5	4.5~5.5	0.06	6000	0.06	2.16	1.3	0.05	18.0	8
AGE03010_12L	B / S / F	12	7.0~13.2	0.03	6000	0.06	2.16	1.3	0.05	18.0	8
AGE03010_05M	B / S / F	5	4.5~5.5	0.08	7500	0.08	2.79	2.1	0.08	20.0	8
AGE03010_12M	B / S / F	12	7.0~13.2	0.05	7500	0.08	2.79	2.1	0.08	20.0	8
AGE03010_05H	B / S / F	5	4.5~5.5	0.10	9000	0.10	3.47	2.9	0.11	25.0	8
AGE03010_12H	B / S / F	12	7.0~13.2	0.07	9000	0.10	3.47	2.9	0.11	25.0	8
AGE03010_05U	B / S / F	5	4.5~5.5	0.14	11000	0.12	4.24	4.3	0.17	27.0	8
AGE03010_12U	B / S / F	12	7.0~13.2	0.09	11000	0.12	4.24	4.3	0.17	27.0	8



### DC FAN Motor AG-series

### □35×35×10mm

Model	*Bearing System	Rated Voltage	Operating Voltage Range	Rated Current	Rated Speed	Maximum Air Flow		Maximum Static Pressure		Sound Level	Weight
Part NO.	B / S / F	V	V	A	RPM	m <sup>3</sup> /min	CFM	mm-H <sub>2</sub> O	In-H <sub>2</sub> O	dBA	g
AGE03510_05L	B / S	5	4.5~5.5	0.05	5000	0.06	2.10	1.8	0.07	18.0	10
AGE03510_05M	B / S	5	4.5~5.5	0.06	6000	0.08	2.72	2.6	0.10	20.0	10
AGE03510_05H	B / S	5	4.5~5.5	0.07	7000	0.14	4.96	3.5	0.14	23.0	10
AGE03510_12H	B / S	12	7.0~13.2	0.03	7000	0.14	4.96	3.5	0.14	23.0	10
AGE03510_05U	B / S	5	4.5~5.5	0.08	8000	0.16	5.51	4.5	0.18	25.0	10
AGE03510_12U	B / S	12	7.0~13.2	0.04	8000	0.16	5.51	4.5	0.18	25.0	10
AGE03510_05V	B / S	5	4.5~5.5	0.10	9000	0.18	6.30	5.5	0.22	28.0	10
AGE03510_12V	B / S	12	7.0~13.2	0.07	9000	0.18	6.30	5.5	0.22	28.0	10



### Japan Magnets, Inc

Head Office / Japan Bldg 4F, 1-1646-2, Kamikawa, Suwa, Nagano, Japan zipcode 392-0021

Tel / +81-266-56-1021

Fax / +81-266-56-1430

HP / <http://www.jmi-motion.com>