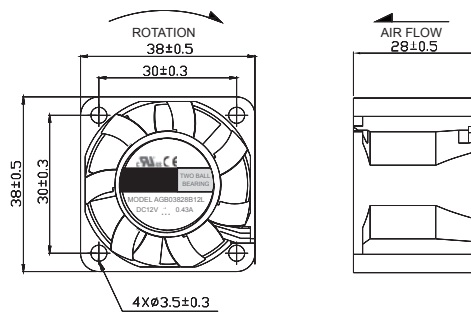
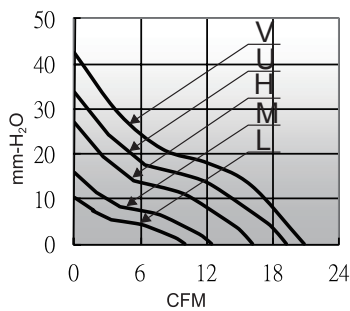


DC FAN Motor AG-series

□38×38×28mm

Model	*Bearing System	Rated Voltage	Operating Voltage Range	Rated Current	Rated Speed	Maximum Air Flow		Maximum Static Pressure		Sound Level	Weight
Part NO.	B / S / F	V	V	A	RPM	m ³ /min	CFM	mm-H ₂ O	In-H ₂ O	dBA	g
AGE03828_12L	B	12	7.0~13.2	0.21	8000	0.26	9.44	10.02	0.39	38.0	40
AGE03828_12M	B	12	7.0~13.2	0.30	10000	0.35	12.46	12.46	0.63	44.0	40
AGE03828_12H	B	12	7.0~13.2	0.50	13000	0.46	16.30	25.91	1.02	51.0	40
AGE03828_12U	B	12	7.0~13.2	0.82	15000	0.54	19.16	34.71	1.37	55.0	40
AGE03828_12V	B	12	7.0~13.2	1.00	17000	0.59	20.80	42.40	1.67	59.0	40

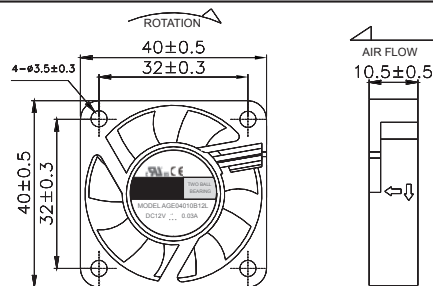
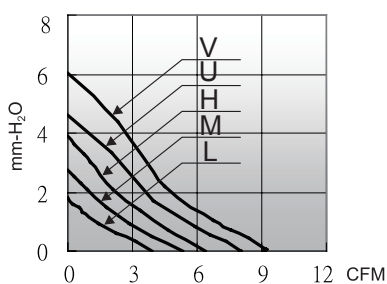


unit:mm

DC FAN Motor AG-series

□40×40×10mm

Model	*Bearing System	Rated Voltage	Operating Voltage Range	Rated Current	Rated Speed	Maximum Air Flow		Maximum Static Pressure		Sound Level	Weight
Part NO.	B / S / F	V	V	A	RPM	m ³ /min	CFM	mm-H ₂ O	In-H ₂ O	dBA	g
AGE04010_05L	B / F/S	5	4.5~5.5	0.09	4000	0.11	3.91	1.8	0.07	21.0	20
AGE04010_12L	B / F/S	12	7.0~13.2	0.05	4000	0.11	3.91	1.8	0.07	21.0	20
AGE04010_24L	B / F/S	24	14.0~24.6	0.03	4000	0.11	3.91	1.8	0.07	21.0	20
AGE04010_05M	B / F/S	5	4.5~5.5	0.13	5000	0.15	5.30	2.7	0.11	25.0	20
AGE04010_12M	B / F/S	12	7.0~13.2	0.06	5000	0.15	5.30	2.7	0.18	25.0	20
AGE04010_24M	B / F/S	24	14.0~24.6	0.04	5000	0.15	5.30	2.7	0.18	25.0	20
AGE04010_05H	B / F/S	5	4.5~5.5	0.16	6000	0.18	6.36	3.9	0.15	29.0	20
AGE04010_12H	B / F/S	12	7.0~13.2	0.07	6000	0.18	6.36	3.9	0.15	29.0	20
AGE04010_24H	B / F/S	24	14.0~24.6	0.06	6000	0.18	6.36	3.9	0.15	29.0	20
AGE04010_05U	B / F/S	5	4.5~5.5	0.22	7000	0.22	7.92	4.6	0.18	33.0	20
AGE04010_12U	B / F/S	12	7.0~13.2	0.10	7000	0.22	7.92	4.6	0.18	33.0	20
AGE04010_24U	B / F/S	24	14.0~24.6	0.08	7000	0.22	7.92	4.6	0.18	33.0	20
AGE04010_12V	B / F/S	12	7.0~13.2	0.14	8000	0.26	9.05	6.0	0.24	38.0	20
AGE04010_24V	B / F/S	24	14.0~24.6	0.09	8000	0.26	9.05	6.0	0.24	38.0	20



unit:mm

Japan Magnets, Inc

Head Office / Japan Bldg 4F, 1-1646-2, Kamikawa, Suwa, Nagano, Japan zipcode 392-0021

Tel /+81-266-56-1021

Fax /+81-266-56-1430

HP / <http://www.jmi-motion.com>