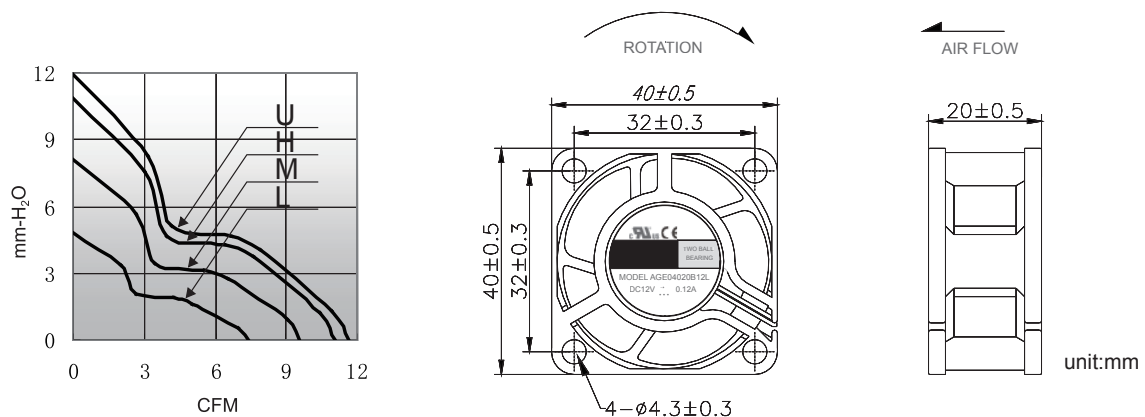


## DC FAN Motor AG-series

## □40×40×20mm

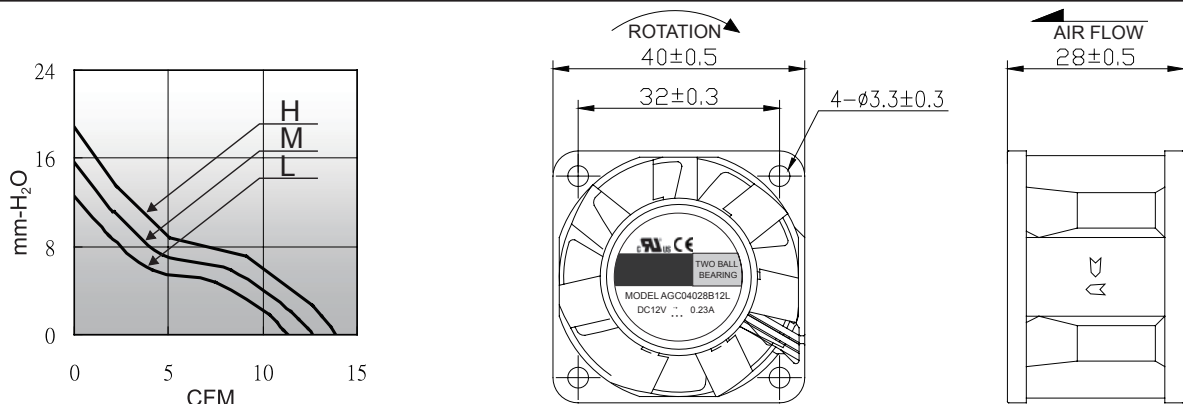
Model	*Bearing System	Rated Voltage	Operating Voltage Range	Rated Current	Rated Speed	Maximum Air Flow	Maximum Static Pressure	Sound Level	Weight
Part NO.	B / S / F	V	V	A	RPM	m <sup>3</sup> /min CFM	mm-H <sub>2</sub> O In-H <sub>2</sub> O	dBa	g
AGE04020_12L	B / F / S	12	7.0~13.2	0.10	5000	0.21 7.4	4.8 0.19	21.0	27
AGE04020_24L	B / F / S	24	14.0~24.6	0.07	5000	0.21 7.4	4.8 0.19	21.0	27
AGE04020_12M	B / F / S	12	7.0~13.2	0.12	6500	0.22 9.6	8.1 0.32	24.5	27
AGE04020_24M	B / F / S	24	14.0~24.6	0.09	6500	0.22 9.6	8.1 0.32	24.5	27
AGE04020_12H	B / F / S	12	7.0~13.2	0.16	8600	0.31 11.1	10.8 0.43	32.5	27
AGE04020_24H	B / F / S	24	14.0~24.6	0.13	8600	0.31 11.1	10.8 0.43	32.5	27
AGE04020_12U	B / F / S	12	7.0~13.2	0.22	9500	0.31 11.6	11.9 0.47	33.5	27



## DC FAN Motor AG-series

## □40×40×28mm

Model	*Bearing System	Rated Voltage	Operating Voltage Range	Rated Current	Rated Speed	Maximum Air Flow	Maximum Static Pressure	Sound Level	Weight
Part NO.	B / S / F	V	V	A	RPM	m <sup>3</sup> /min CFM	mm-H <sub>2</sub> O In-H <sub>2</sub> O	dBa	g
AGF04028_12L	B	12	7.0~13.2	0.23	9000	0.33 11.61	12.15 0.48	40.0	40
AGF04028_24L	B	24	14.0~26.4	0.14	9000	0.33 11.61	12.15 0.48	40.0	40
AGF04028_12M	B	12	7.0~13.2	0.32	10000	0.37 12.90	15.00 0.59	43.3	40
AGF04028_24M	B	24	14.0~26.4	0.17	10000	0.37 12.90	15.00 0.59	43.3	40
AGF04028_12H	B	12	7.0~13.2	0.42	11000	0.39 13.90	18.80 0.74	46.0	40
AGF04028_24H	B	24	14.0~26.4	0.21	11000	0.39 13.90	18.80 0.74	46.0	40



## Japan Magnets.,Inc

Head Office / Japan Bldg 4F, 1-1646-2, Kamikawa, Suwa, Nagano, Japan zipcode 392-0021

Tel /+81-266-56-1021

Fax /+81-266-56-1430

HP / <http://www.jmi-motion.com>