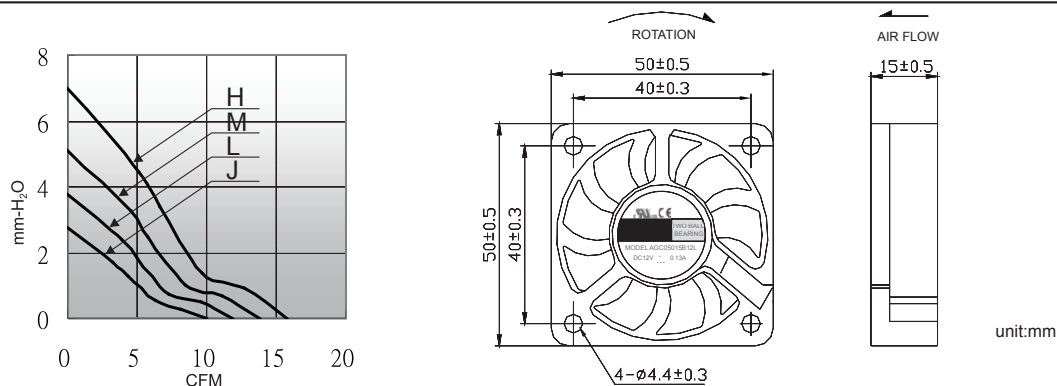


DC FAN Motor AG-series

□50×50×15mm

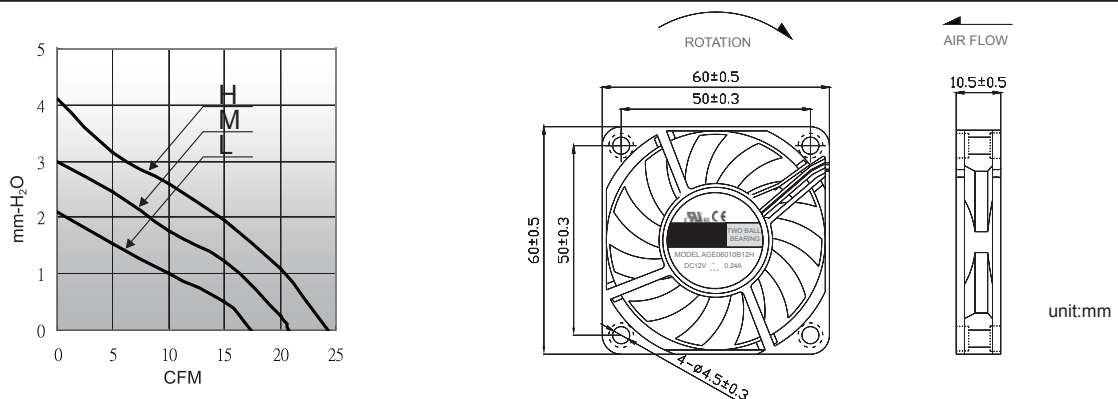
Model	*Bearing System	Rated Voltage	Operating Voltage Range	Rated Current	Rated Speed	Maximum Air Flow	Maximum Static Pressure	Sound Level	Weight		
Part NO.	B / S / F	V	V	A	RPM	m ³ /min	CFM	mm-H ₂ O	In-H ₂ O	dBA	g
AGE05015_12J	B / S	12	7.0~13.2	0.10	4000	0.28	10.0	2.8	0.11	24.0	24
AGE05015_24J	B / S	24	14.0~26.4	0.07	4000	0.28	10.0	2.8	0.11	24.0	24
AGE05015_12L	B / S	12	7.0~13.2	0.13	4800	0.34	11.8	3.8	0.15	28.0	24
AGE05015_24L	B / S	24	14.0~26.4	0.08	4800	0.34	11.8	3.8	0.15	28.0	24
AGE05015_12M	B / S	12	7.0~13.2	0.15	5600	0.39	13.8	5.1	0.20	32.0	24
AGE05015_24M	B / S	24	14.0~26.4	0.10	5600	0.39	13.8	5.1	0.20	32.0	24
AGE05015_12H	B / S	12	7.0~13.2	0.21	6400	0.45	15.8	7.0	0.27	36.0	24
AGE05015_24H	B / S	24	14.0~26.4	0.12	6400	0.45	15.8	7.0	0.27	36.0	24



DC FAN Motor AG-series

□60×60×10mm

Model	*Bearing System	Rated Voltage	Operating Voltage Range	Rated Current	Rated Speed	Maximum Air Flow	Maximum Static Pressure	Sound Level	Weight		
Part NO.	B / S / F	V	V	A	RPM	m ³ /min	CFM	mm-H ₂ O	In-H ₂ O	dBA	g
AGE06010_12L	B / S	12	7.0~13.2	0.13	3500	0.49	17.4	2.1	0.08	28.0	26
AGE06010_24L	B / S	24	14.0~26.4	0.08	3500	0.49	17.4	2.1	0.08	28.0	26
AGE06010_12M	B / S	12	7.0~13.2	0.17	4200	0.59	20.8	3.0	0.12	33.0	26
AGE06010_24M	B / S	24	14.0~26.4	0.11	4200	0.59	20.8	3.0	0.12	33.0	26
AGE06010_12H	B / S	12	7.0~13.2	0.24	4900	0.69	24.3	4.1	0.16	37.0	26
AGE06010_24H	B / S	24	14.0~26.4	0.15	4900	0.69	24.3	4.1	0.16	37.0	26



Japan Magnets, Inc

Head Office / Japan Bldg 4F, 1-1646-2, Kamikawa, Suwa, Nagano, Japan zipcode 392-0021

Tel / +81-266-56-1021

Fax / +81-266-56-1430

HP / <http://www.jmi-motion.com>