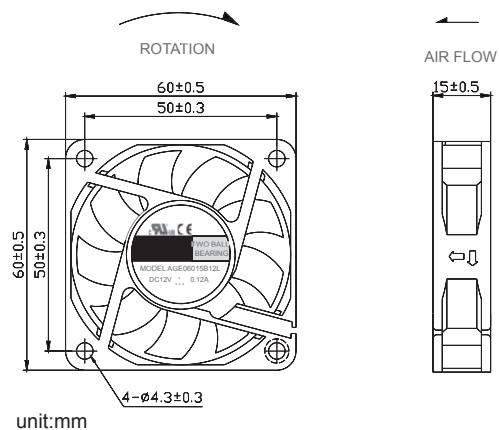
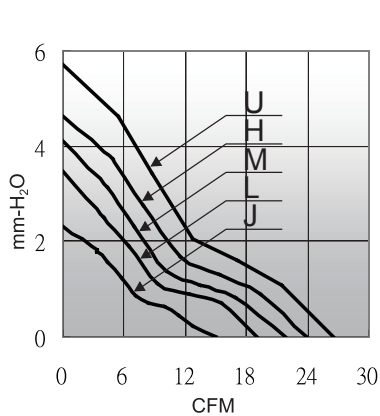


DC FAN Motor AG-series

□60×60×15mm

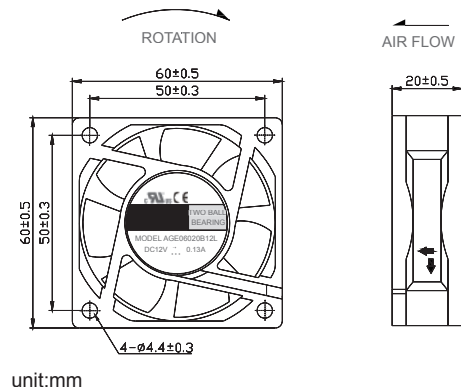
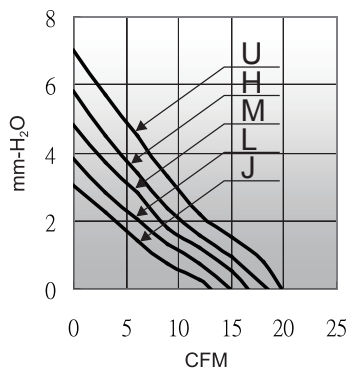
Model	*Bearing System	Rated Voltage	Operating Voltage Range	Rated Current	Rated Speed	Maximum Air Flow		Maximum Static Pressure		Sound Level	Weight
Part NO.	B / S / F	V	V	A	RPM	m ³ /min	CFM	mm-H ₂ O	In-H ₂ O	dBA	g
AGE06015_12J	B / S	12	7.0~13.2	0.06	3000	0.43	15.0	2.3	0.09	24.0	44
AGE06015_12L	B / S	12	7.0~13.2	0.08	3500	0.54	19.0	3.5	0.14	29.0	44
AGE06015_12M	B / S	12	7.0~13.2	0.10	4000	0.62	21.7	4.1	0.16	32.0	44
AGE06015_24M	B / S	24	14.0~26.4	0.08	4000	0.62	21.7	4.1	0.16	32.0	44
AGE06015_12H	B / S	12	7.0~13.2	0.12	4500	0.65	23.1	4.6	0.18	35.0	44
AGE06015_24H	B / S	24	14.0~26.4	0.10	4500	0.65	23.1	4.6	0.18	35.0	44
AGE06015_12U	B / S	12	7.0~13.2	0.14	5000	0.75	26.5	5.7	0.23	37.0	44
AGE06015_24U	B / S	24	14.0~26.4	0.11	5000	0.75	26.5	5.7	0.23	37.0	44



DC FAN Motor AG-series

□60×60×20mm

Model	*Bearing System	Rated Voltage	Operating Voltage Range	Rated Current	Rated Speed	Maximum Air Flow		Maximum Static Pressure		Sound Level	Weight
Part NO.	B / S / F	V	V	A	RPM	m ³ /min	CFM	mm-H ₂ O	In-H ₂ O	dBA	g
AGE06020_12J	B / S	12	7.0~13.2	0.07	3200	0.38	13.5	3.0	0.12	24.0	56
AGE06020_12L	B / S	12	7.0~13.2	0.09	3600	0.42	14.8	3.8	0.15	26.0	56
AGE06020_12M	B / S	12	7.0~13.2	0.11	4000	0.46	16.4	4.8	0.19	29.0	56
AGE06020_12H	B / S	12	7.0~13.2	0.13	4400	0.51	18.1	5.8	0.23	31.0	56
AGE06020_12U	B / S	12	7.0~13.2	0.17	4800	0.56	19.6	6.9	0.27	33.0	56



Japan Magnets.,Inc

Head Office / Japan Bldg 4F, 1-1646-2, Kamikawa, Suwa, Nagano, Japan zipcode 392-0021

Tel /+81-266-56-1021

Fax /+81-266-56-1430

HP / <http://www.jmi-motion.com>