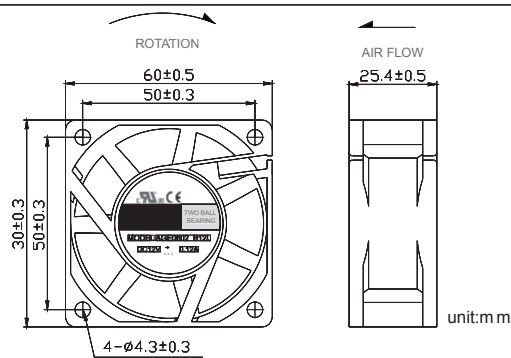
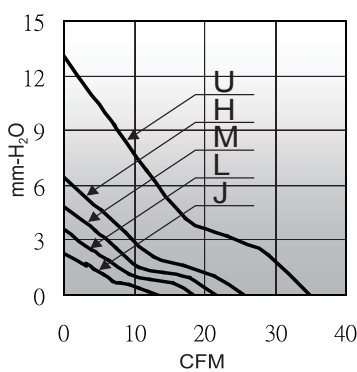


DC FAN Motor AG-series

□60×60×25mm

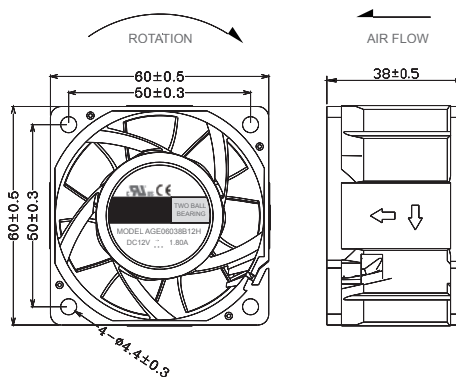
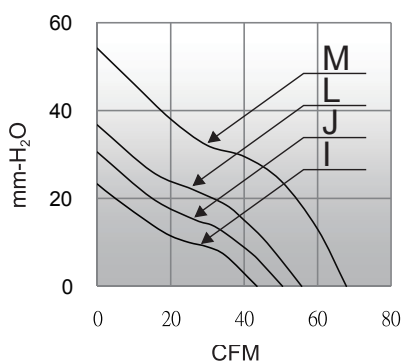
Model	*Bearing System	Rated Voltage	Operating Voltage Range	Rated Current	Rated Speed	Maximum Air Flow	Maximum Static Pressure	Sound Level	Weight		
Part NO.	B / S / F	V	V	A	RPM	m ³ /min	CFM	mm-H ₂ O	In-H ₂ O	dBA	g
AGE06025_12J	B / S	12	7.0~13.2	0.10	3100	0.40	14.1	2.5	0.10	26.0	57
AGE06025_24J	B / S	24	14.0~26.4	0.06	3100	0.40	14.1	2.5	0.10	26.0	57
AGE06025_48J	B / S	48	28.0~56.0	0.05	3100	0.40	14.1	2.5	0.10	26.0	57
AGE06025_12L	B / S	12	7.0~13.2	0.12	3600	0.52	18.5	3.6	0.14	31.0	57
AGE06025_24L	B / S	24	14.0~26.4	0.08	3600	0.52	18.5	3.6	0.14	31.0	57
AGE06025_48L	B / S	48	28.0~56.0	0.06	3600	0.52	18.5	3.6	0.14	31.0	57
AGE06025_12M	B / S	12	7.0~13.2	0.16	4250	0.61	21.5	4.8	0.19	34.0	57
AGE06025_24M	B / S	24	14.0~26.4	0.11	4250	0.61	21.5	4.8	0.19	34.0	57
AGE06025_48M	B / S	48	28.0~56.0	0.07	4250	0.61	21.5	4.8	0.19	34.0	57
AGE06025_12H	B / S	12	7.0~13.2	0.35	5000	0.73	25.6	6.5	0.26	40.0	57
AGE06025_24H °	B / S	24	14.0~26.4	0.20	5000	0.73	25.6	6.5	0.26	40.0	57
AGE06025_48H	B / S	48	28.0~56.0	0.12	5000	0.73	25.6	6.5	0.26	40.0	57
AGE06025_12U	B	12	7.0~13.2	0.36	6800	0.99	34.8	13.0	0.51	46.5	57



DC FAN Motor AG-series

□60×60×38mm

Model	*Bearing System	Rated Voltage	Operating Voltage Range	Rated Current	Rated Speed	Maximum Air Flow	Maximum Static Pressure	Sound Level	Weight		
Part NO.	B / S / F	V	V	A	RPM	m ³ /min	CFM	mm-H ₂ O	In-H ₂ O	dBA	g
AGB06038B_12I	B / S	12	7.0~13.2	0.60	8000	1.22	43.1	22.9	0.90	51.0	145
AGB06038B_24I	B / S	24	14.0~26.4	0.23	8000	1.22	43.1	22.9	0.90	51.0	145
AGB06038B_48I	B / S	48	28.0~56.0	0.18	8000	1.22	43.1	22.9	0.90	51.0	145
AGB06038B_12J	B / S	12	7.0~13.2	0.90	9000	1.41	50.0	30.0	1.18	53.5	145
AGB06038B_24J	B / S	24	14.0~26.4	0.27	9000	1.41	50.0	30.0	1.18	53.5	145
AGB06038B_48J	B / S	48	28.0~56.0	0.20	9000	1.41	50.0	30.0	1.18	53.5	145
AGB06038B_12L	B / S	12	7.0~13.2	1.28	10000	1.52	55.2	35.8	1.41	57.0	145
AGB06038B_24L	B / S	24	14.0~26.4	0.38	10000	1.52	55.2	35.8	1.41	57.0	145
AGB06038B_48L	B / S	48	28.0~56.0	0.22	10000	1.52	55.2	35.8	1.41	57.0	145
AGB06038B_12M	B / S	12	7.0~13.2	1.80	12000	1.90	67.3	52.6	2.07	61.8	145
AGB06038B_24M	B / S	24	14.0~26.4	0.50	12000	1.90	67.3	52.6	2.07	61.8	145
AGB06038B_48M	B / S	48	28.0~56.0	0.25	12000	1.90	67.3	52.6	2.07	61.8	145



Japan Magnets.,Inc

Head Office / Japan Bldg 4F, 1-1646-2, Kamikawa, Suwa, Nagano, Japan zipcode 392-0021

Tel /+81-266-56-1021

Fax /+81-266-56-1430

HP / <http://www.jmi-motion.com>