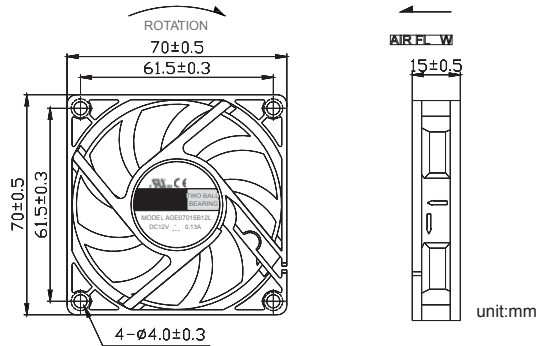
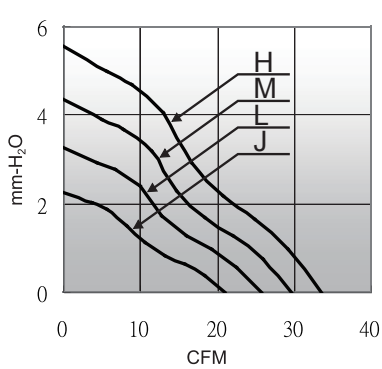


DC FAN Motor AG-series

□70×70×15mm

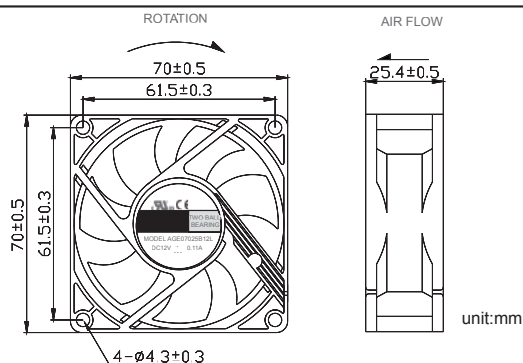
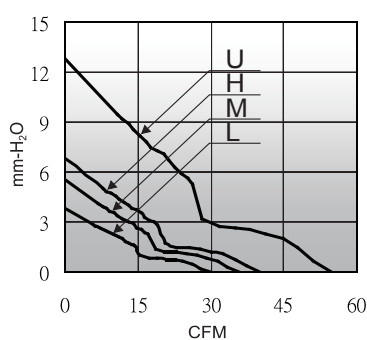
| Model | *Bearing System | Rated Voltage | Operating Voltage Range | Rated Current | Rated Speed | Maximum Air Flow | | Maximum Static Pressure | | Sound Level | Weight |
|--------------|-----------------|---------------|-------------------------|---------------|-------------|---------------------|------|-------------------------|---------------------|-------------|--------|
| Part NO. | B / S / F | V | V | A | RPM | m ³ /min | CFM | mm-H ₂ O | In-H ₂ O | dBA | g |
| AGE07015_12J | B / S | 12 | 7.0~13.2 | 0.10 | 2800 | 0.60 | 21.1 | 2.3 | 0.09 | 27.0 | 50 |
| AGE07015_12L | B / S | 12 | 7.0~13.2 | 0.12 | 3300 | 0.73 | 25.7 | 3.3 | 0.13 | 31.0 | 50 |
| AGE07015_12M | B / S | 12 | 7.0~13.2 | 0.17 | 3800 | 0.84 | 29.6 | 4.3 | 0.17 | 35.0 | 50 |
| AGE07015_12H | B / S | 12 | 7.0~13.2 | 0.25 | 4300 | 0.95 | 33.5 | 5.5 | 0.22 | 39.0 | 50 |



DC FAN Motor AG-series

□70×70×25mm

| Model | *Bearing System | Rated Voltage | Operating Voltage Range | Rated Current | Rated Speed | Maximum Air Flow | | Maximum Static Pressure | | Sound Level | Weight |
|--------------|-----------------|---------------|-------------------------|---------------|-------------|---------------------|------|-------------------------|---------------------|-------------|--------|
| Part NO. | B / S / F | V | V | A | RPM | m ³ /min | CFM | mm-H ₂ O | In-H ₂ O | dBA | g |
| AGE07025_12L | B / S | 12 | 7.0~13.2 | 0.07 | 3000 | 0.85 | 30.0 | 3.9 | 0.15 | 27.0 | 74 |
| AGE07025_24L | B / S | 24 | 14.0~26.4 | 0.05 | 3000 | 0.85 | 30.0 | 3.9 | 0.15 | 27.0 | 74 |
| AGE07025_48L | B / S | 48 | 28.0~56.0 | 0.04 | 3000 | 0.85 | 30.0 | 3.9 | 0.15 | 27.0 | 74 |
| AGE07025_12M | B / S | 12 | 7.0~13.2 | 0.09 | 3600 | 1.02 | 35.6 | 5.5 | 0.22 | 32.0 | 74 |
| AGE07025_24M | B / S | 24 | 14.0~26.4 | 0.06 | 3600 | 1.02 | 35.6 | 5.5 | 0.22 | 32.0 | 74 |
| AGE07025_48M | B / S | 48 | 28.0~56.0 | 0.05 | 3600 | 1.02 | 35.6 | 5.5 | 0.22 | 32.0 | 74 |
| AGE07025_12H | B / S | 12 | 7.0~13.2 | 0.13 | 4000 | 1.13 | 39.9 | 6.8 | 0.27 | 37.0 | 74 |
| AGE07025_24H | B / S | 24 | 14.0~26.4 | 0.08 | 4000 | 1.13 | 39.9 | 6.8 | 0.27 | 37.0 | 74 |
| AGE07025_48H | B / S | 48 | 28.0~56.0 | 0.07 | 4000 | 1.13 | 39.9 | 6.8 | 0.27 | 37.0 | 74 |
| AGE07025_12U | B | 12 | 7.0~13.2 | 0.16 | 5500 | 1.55 | 54.8 | 12.8 | 0.50 | 45.0 | 74 |
| AGE07025_24U | B | 24 | 14.0~26.4 | 0.35 | 5500 | 1.55 | 54.8 | 12.8 | 0.50 | 45.0 | 74 |



Japan Magnets, Inc

Head Office / Japan Bldg 4F, 1-1646-2, Kamikawa, Suwa, Nagano, Japan zipcode 392-0021

Tel /+81-266-56-1021

Fax /+81-266-56-1430

HP / <http://www.jmi-motion.com>