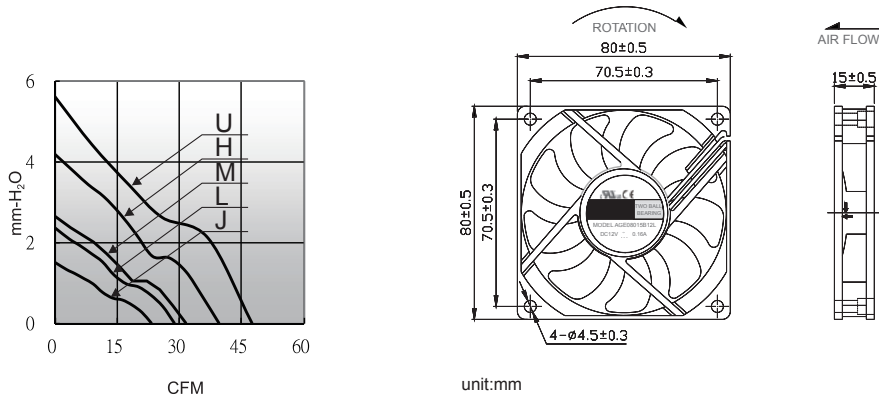


DC FAN Motor AG-series

□80×80×15mm

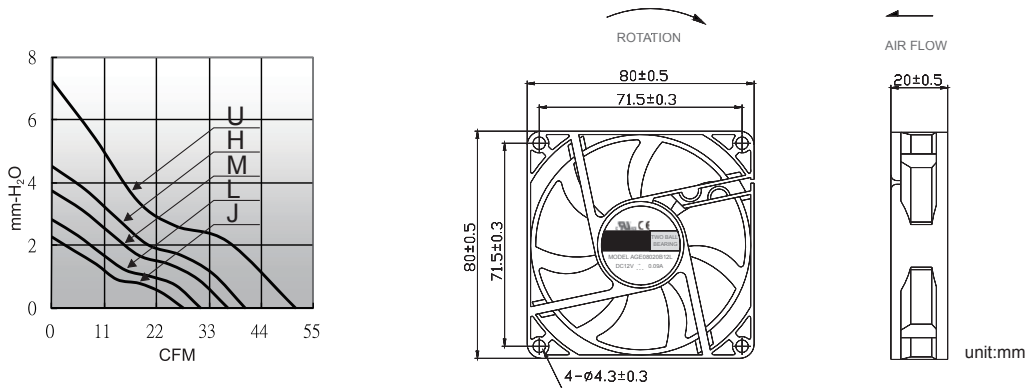
Model	*Bearing System	Rated Voltage	Operating Voltage Range	Rated Current	Rated Speed	Maximum Air Flow	Maximum Static Pressure	Sound Level	Weight		
Part NO.	B / S / F	V	V	A	RPM	m ³ /min	CFM	mm-H ₂ O	In-H ₂ O	dBA	g
AGE08015_12J	B S	12	7.0~13.2	0.06	2400	0.65	23.1	1.5	0.06	28.0	54
AGE08015_24J	B S	24	14.0~26.4	0.04	2400	0.65	23.1	1.5	0.06	28.0	54
AGE08015_12L	B S	12	7.0~13.2	0.08	2700	0.82	28.9	2.4	0.09	31.0	54
AGE08015_24L	B S	24	14.0~26.4	0.06	2700	0.82	28.9	2.4	0.09	31.0	54
AGE08015_12M	B S	12	7.0~13.2	0.11	3100	0.94	33.1	2.9	0.12	34.0	54
AGE08015_24M	B S	24	14.0~26.4	0.08	3100	0.94	33.1	2.9	0.12	34.0	54
AGE08015_12H	B S	12	7.0~13.2	0.15	3600	1.12	39.6	4.2	0.16	39.0	54
AGE08015_24H	B S	24	14.0~26.4	0.09	3600	1.12	39.6	4.2	0.16	39.0	54
AGE08015_12U	B S	12	7.0~13.2	0.30	4500	1.35	47.6	5.5	0.22	43.0	54



DC FAN Motor AG-series

□80×80×20mm

Model	*Bearing System	Rated Voltage	Operating Voltage Range	Rated Current	Rated Speed	Maximum Air Flow	Maximum Static Pressure	Sound Level	Weight		
Part NO.	B / S / F	V	V	A	RPM	m ³ /min	CFM	mm-H ₂ O	In-H ₂ O	dBA	g
AGE08020_12J	B S	12	7.0~13.2	0.09	2400	0.78	27.4	2.2	0.09	25.0	76
AGE08020_24J	B S	24	14.0~26.4	0.05	2400	0.78	27.4	2.2	0.09	25.0	76
AGE08020_12L	B S	12	7.0~13.2	0.10	2700	0.88	31.2	2.8	0.11	29.0	76
AGE08020_24L	B S	24	14.0~26.4	0.07	2700	0.88	31.2	2.8	0.11	29.0	76
AGE08020_12M	B S	12	7.0~13.2	0.12	3100	1.04	36.9	3.7	0.15	34.0	76
AGE08020_24M	B S	24	14.0~26.4	0.09	3100	1.04	36.9	3.7	0.15	34.0	76
AGE08020_12H	B S	12	7.0~13.2	0.14	3400	1.15	40.5	4.5	0.18	36.0	76
AGE08020_24H	B S	24	14.0~26.4	0.12	3400	1.15	40.5	4.5	0.18	36.0	76
AGE08020_12U	B S	12	7.0~13.2	0.26	4300	1.45	51.2	7.2	0.28	43.0	76
AGE08020_24U	B S	24	14.0~26.4	0.16	4300	1.45	51.2	7.2	0.28	43.0	76



Japan Magnets.,Inc

Head Office / Japan Bldg 4F, 1-1646-2, Kamikawa, Suwa, Nagano, Japan zipcode 392-0021

Tel /+81-266-56-1021

Fax /+81-266-56-1430

HP / <http://www.jmi-motion.com>