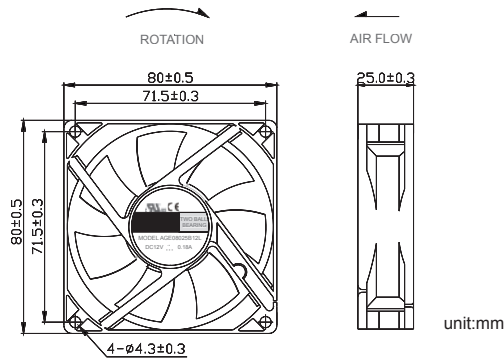
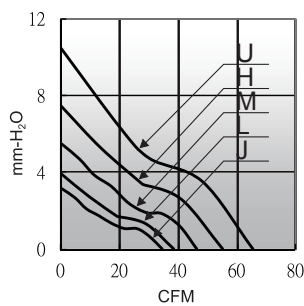


DC FAN Motor AG-series

□80×80×25mm

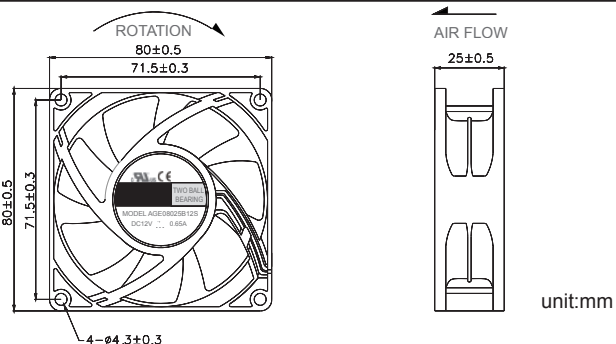
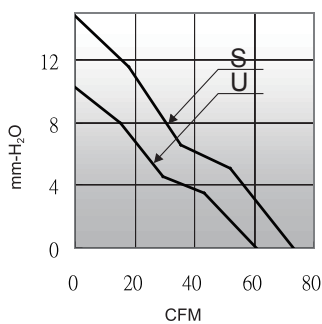
Model	*Bearing System	Rated Voltage	Operating Voltage Range	Rated Current	Rated Speed	Maximum Air Flow	Maximum Static Pressure	Sound Level	Weight		
Part NO.	B / S / F	V	V	A	RPM	m ³ /min	CFM	mm-H ₂ O	In-H ₂ O	dBA	g
AGE08025_12J	B E S	12	7.0~13.2	0.14	2700	0.98	34.6	3.1	0.12	28.0	76
AGE08025_24J	B E S	24	14.0~26.4	0.08	2700	0.98	34.6	3.1	0.12	28.0	76
AGE08025_48J	B E S	48	28.0~56.0	0.05	2700	0.98	34.6	3.1	0.12	28.0	76
AGE08025_12L	B E S	12	7.0~13.2	0.15	3000	1.09	38.5	3.9	0.15	31.0	76
AGE08025_24L	B E S	24	14.0~26.4	0.10	3000	1.09	38.5	3.9	0.15	31.0	76
AGE08025_48L	B E S	48	28.0~56.0	0.07	3000	1.09	38.5	3.9	0.15	31.0	76
AGE08025_12M	B E S	12	7.0~13.2	0.23	3600	1.31	46.1	5.4	0.21	36.0	76
AGE08025_24M	B E S	24	14.0~26.4	0.16	3600	1.31	46.1	5.4	0.21	36.0	76
AGE08025_48M	B E S	48	28.0~56.0	0.07	3600	1.31	46.1	5.4	0.21	36.0	76
AGE08025_12H	B E S	12	7.0~13.2	0.32	4300	1.56	55.0	7.4	0.29	40.0	76
AGE08025_24H	B E S	24	14.0~26.4	0.23	4300	1.56	55.0	7.4	0.29	40.0	76
AGE08025_48H	B E S	48	28.0~56.0	0.11	4300	1.56	55.0	7.4	0.29	40.0	76
AGE08025_12U	B E S	12	7.0~13.2	0.52	5000	1.84	65.2	10.4	0.41	44.0	76



DC FAN Motor AG-series

□80×80×25mm

Model	*Bearing System	Rated Voltage	Operating Voltage Range	Rated Current	Rated Speed	Maximum Air Flow	Maximum Static Pressure	Sound Level	Weight		
Part NO.	B / S / F	V	V	A	RPM	m ³ /min	CFM	mm-H ₂ O	In-H ₂ O	dBA	g
AGF08025_12U	B	12	7.0~13.2	0.70	5000	1.72	60.8	10.3	0.40	46.0	??
AGF08025_24U	B	24	14.0~26.4	0.60	5000	1.72	60.8	10.3	0.40	46.0	??
AGF08025_12S	B	12	7.0~13.2	0.65	6000	2.07	73.0	14.8	0.58	51.0	??



Japan Magnets.,Inc

Head Office / Japan Bldg 4F, 1-1646-2, Kamikawa, Suwa, Nagano, Japan zipcode 392-0021

Tel /+81-266-56-1021

Fax /+81-266-56-1430

HP / <http://www.jmi-motion.com>