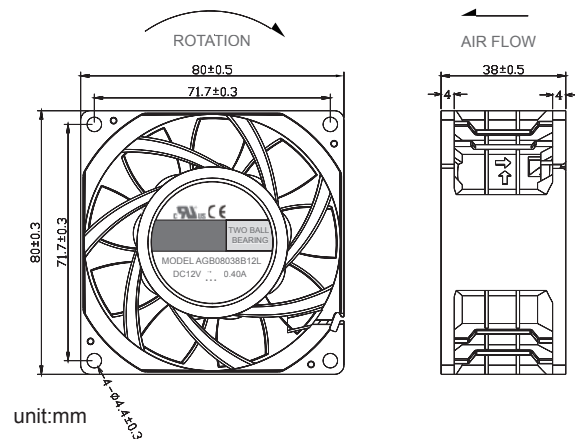
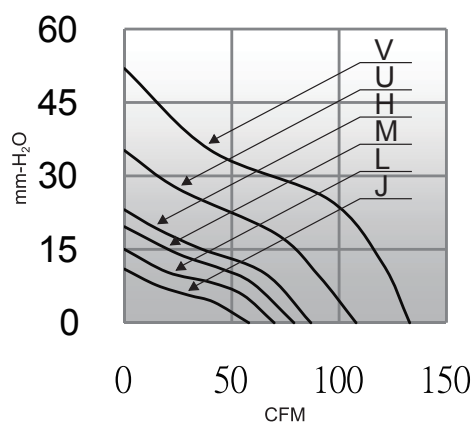


DC FAN Motor AG-series

□80×80×38mm

Model	*Bearing System	Rated Voltage	Operating Voltage Range	Rated Current	Rated Speed	Maximum Air Flow		Maximum Static Pressure		Sound Level	Weight
Part NO.	B / S / F	V	V	A	RPM	m ³ /min	CFM	mm-H ₂ O	In-H ₂ O	dBA	g
AGB08038_12J	B	12	7.0~13.2	0.40	4200	1.65	58.2	10.4	0.41	45.0	210
AGB08038_24J	B	24	14.0~26.4	0.25	4200	1.65	58.2	10.4	0.41	45.0	210
AGB08038_48J	B	48	28.0~56.0	0.14	4200	1.65	58.2	10.4	0.41	45.0	210
AGB08038_12L	B	12	7.0~13.2	0.51	4900	1.96	69.1	14.2	0.56	49.0	210
AGB08038_24L	B	24	14.0~26.4	0.41	4900	1.96	69.1	14.2	0.56	49.0	210
AGB08038_48L	B	48	28.0~56.0	0.23	4900	1.96	69.1	14.2	0.56	49.0	210
AGB08038_12M	B	12	7.0~13.2	0.60	5200	2.23	78.8	19.3	0.76	53.0	210
AGB08038_24M	B	24	14.0~26.4	0.55	5200	2.23	78.8	19.3	0.76	53.0	210
AGB08038_48M	B	48	28.0~56.0	0.33	5200	2.23	78.8	19.3	0.76	53.0	210
AGB08038_12H	B	12	7.0~13.2	0.85	6100	2.40	84.8	22.7	0.89	56.0	210
AGB08038_24H	B	24	14.0~26.4	0.78	6100	2.40	84.8	22.7	0.89	56.0	210
AGB08038_48H	B	48	28.0~56.0	0.51	6100	2.40	84.8	22.7	0.89	56.0	210
AGB08038_12U	B	12	7.0~13.2	1.55	7500	2.99	105.5	34.5	1.36	62.0	210
AGB08038_24U	B	24	14.0~26.4	1.17	7500	2.99	105.5	34.5	1.36	62.0	210
AGB08038_48U	B	48	28.0~56.0	0.58	7500	2.99	105.5	34.5	1.36	62.0	210
AGB08038_12V	B	12	7.0~13.2	2.60	9000	3.68	130.0	50.9	2.00	65.5	210
AGB08038_24V	B	24	14.0~26.4	1.80	9000	3.68	130.0	50.9	2.00	65.5	210
AGB08038_48V	B	48	28.0~56.0	0.9	9000	3.68	130.0	50.9	2.00	65.5	210



Japan Magnets.,Inc

Head Office / Japan Bldg 4F, 1-1646-2, Kamikawa, Suwa, Nagano, Japan zipcode 392-0021

Tel /+81-266-56-1021

Fax /+81-266-56-1430

HP / <http://www.jmi-motion.com>