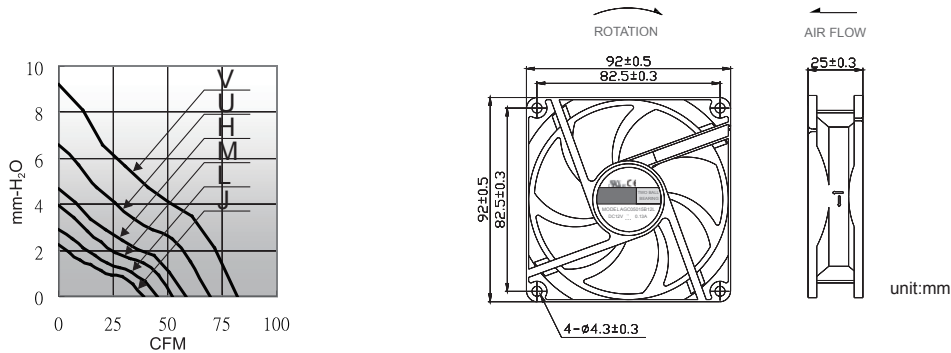


DC FAN Motor AG-series

□92×92×25mm

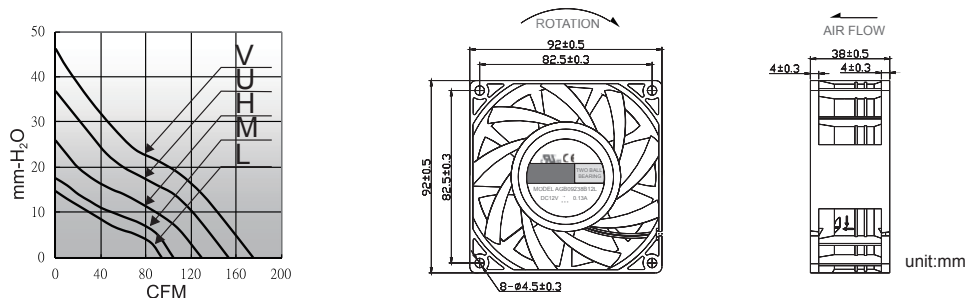
Model	*Bearing System	Rated Voltage	Operating Voltage Range	Rated Current	Rated Speed	Maximum Air Flow		Maximum Static Pressure		Sound Level	Weight
Part NO.	B / S / F	V	V	A	RPM	m ³ /min	CFM	mm-H ₂ O	In-H ₂ O	dBA	g
AGE09225_12J	B F S	12	7.0~13.2	0.09	2100	1.11	39.2	2.2	0.09	25.0	79
AGE09225_24J	B F S	24	14.0~26.4	0.06	2100	1.11	39.2	2.2	0.09	25.0	79
AGE09225_48J	B F S	48	28.0~56.0	0.05	2100	1.11	39.2	2.2	0.09	25.0	79
AGE09225_12L	B F S	12	7.0~13.2	0.11	2450	1.27	44.8	2.9	0.11	30.0	79
AGE09225_24L	B F S	24	14.0~26.4	0.08	2450	1.27	44.8	2.9	0.11	30.0	79
AGE09225_48L	B F S	48	28.0~56.0	0.06	2450	1.27	44.8	2.9	0.11	30.0	79
AGE09225_12M	B F S	12	7.0~13.2	0.14	2850	1.48	52.1	3.9	0.16	34.0	79
AGE09225_24M	B F S	24	14.0~26.4	0.13	2850	1.48	52.1	3.9	0.16	34.0	79
AGE09225_48M	B F S	48	28.0~56.0	0.08	2850	1.48	52.1	3.9	0.16	34.0	79
AGE09225_12H	B F S	12	7.0~13.2	0.20	3200	1.65	58.3	4.7	0.18	38.0	79
AGE09225_24H	B F S	24	14.0~26.4	0.15	3200	1.65	58.3	4.7	0.18	38.0	79
AGE09225_48H	B F S	48	28.0~56.0	0.12	3200	1.65	58.3	4.7	0.18	38.0	79
AGE09225_12U	B F S	12	7.0~13.2	0.35	3800	1.96	69.2	6.6	0.26	45.0	79
AGE09225_24U	B F S	24	14.0~26.4	0.20	3800	1.96	69.2	6.6	0.26	45.0	79
AGE09225_12V	B F S	12	7.0~13.2	0.41	4200	2.29	81.0	9.2	0.40	49.0	79



DC FAN Motor AG-series

□92×92×38mm

Model	*Bearing System	Rated Voltage	Operating Voltage Range	Rated Current	Rated Speed	Maximum Air Flow		Maximum Static Pressure		Sound Level	Weight
Part NO.	B / S / F	V	V	A	RPM	m ³ /min	CFM	mm-H ₂ O	In-H ₂ O	dBA	g
AGE09238B_12L	B	12	7.0~13.2	0.55	4400	2.66	94.11	14.58	0.57	51.2	250
AGE09238B_24L	B	24	14.0~26.4	0.30	4400	2.66	94.11	14.58	0.57	51.2	250
AGE09238B_48L	B	48	28.0~56.0	0.25	4400	2.66	94.11	14.58	0.57	51.2	250
AGE09238B_12M	B	12	7.0~13.2	0.68	4800	2.90	102.55	17.33	0.68	54.1	250
AGE09238B_24M	B	24	14.0~26.4	0.33	4800	2.90	102.55	17.33	0.68	54.1	250
AGE09238B_48M	B	48	28.0~56.0	0.21	4800	2.90	102.55	17.33	0.68	54.1	250
AGE09238B_12H	B	12	7.0~13.2	1.22	6000	3.63	128.13	25.94	1.02	60.5	250
AGE09238B_24H	B	24	14.0~26.4	0.68	6000	3.63	128.13	25.94	1.02	60.5	250
AGE09238B_48H	B	48	28.0~56.0	0.36	6000	3.63	128.13	25.94	1.02	60.5	250
AGE09238B_12U	B	12	7.0~13.2	1.96	7000	4.31	152.32	36.84	1.45	64.4	250
AGE09238B_24U	B	24	14.0~26.4	1.02	7000	4.31	152.32	36.84	1.45	64.4	250
AGE09238B_48U	B	48	28.0~56.0	0.60	7000	4.31	152.32	36.84	1.45	64.4	250
AGE09238B_12V	B	12	7.0~13.2	3.10	8000	4.95	174.98	46.03	1.81	66.5	250
AGE09238B_24V	B	24	14.0~26.4	1.45	8000	4.95	174.98	46.03	1.81	66.5	250



Japan Magnets, Inc

Head Office / Japan Bldg 4F, 1-1646-2, Kamikawa, Suwa, Nagano, Japan zipcode 392-0021

Tel /+81-266-56-1021

Fax /+81-266-56-1430

HP / <http://www.jmi-motion.com>