

### Housing $\phi 22 \times L38$ mm DC Brushless Motor B2238M

OUTPUT : 1W~6W (APPROX)

Bearing TYPE : スリーブ / Sleeve Bushing

WEIGHT (APPROX) : 54g

代表的用途 / Typical Application

家電機器 / 白物家電、調理家電、ファン、理美容家電 / 事務機器 / プリンタ、スキャナ、プロジェクト、医療・計測機器 / ポンプ、血圧計、攪拌器、分離器 /

Household App / Home Electric App, Electric Cooker, Fan, Shaver, Hair Curler

Office Automation Equipment / Printer, Scanner, Projector

Medical App / Medical Pump, Blood Pressure Meter, Medical Stirrer / DIY App / Electric Pump, Screw Driver



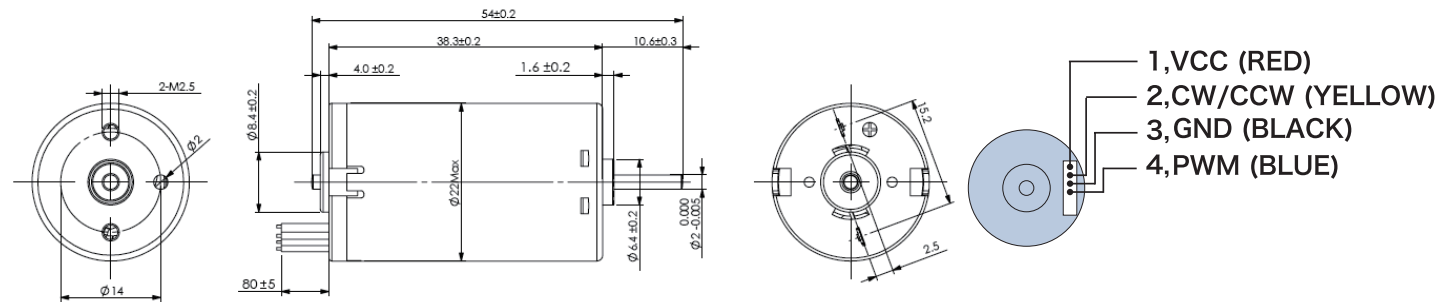
Characteristic : CW/CCW, PWG speed control, Locked rotor protection,

IC Heat protection, Life expectancy 10,000-30,000hrs,

### Motor Parameter

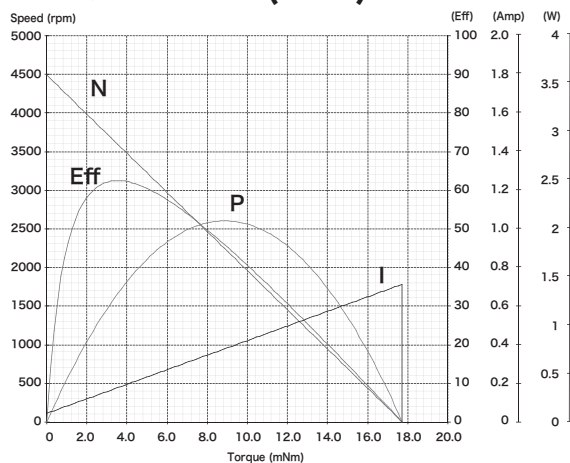
| No. | Standard Model No. | Product No. | Outline Size  |                     |               | Rated Voltage (V) | No Load             |                     | at Max Efficiency |                   |                     |            | at Stall               |                      |          | Configuration |         |
|-----|--------------------|-------------|---------------|---------------------|---------------|-------------------|---------------------|---------------------|-------------------|-------------------|---------------------|------------|------------------------|----------------------|----------|---------------|---------|
|     |                    |             | Motor OD (mm) | Housing Length (mm) | Shaft OD (mm) |                   | No Load Speed (rpm) | No Load Current (A) | Rated Speed (rpm) | Rated Current (A) | Rated Torque (mN-m) | Output (W) | Starting Torque (mN-m) | Starting Current (A) |          |               |         |
|     |                    |             | (mm)          | (mm)                | (mm)          |                   | (rpm)               | (A)                 | (rpm)             | (A)               | (mN-m)              | (g · cm)   | (W)                    | (mN-m)               | (g · cm) |               | (A)     |
| 4   | B2238M             | -S01        | 22.0          | 38.3                | 2             | 6                 | 4000                | 0.09                | 3075              | 0.45              | 4.6                 | 47.0       | 1.49                   | 20.00                | 203.9    | 1.20          | bushing |
| 5   |                    | -S02        | 22.0          | 38.3                | 2             | 12                | 4480                | 0.04                | 3490              | 0.19              | 3.9                 | 40.0       | 1.44                   | 17.70                | 180.5    | 0.72          | bushing |
| 6   |                    | -S03        | 22.0          | 38.3                | 2             | 24                | 5640                | 0.05                | 4220              | 0.18              | 5.2                 | 53.0       | 2.30                   | 20.70                | 211.1    | 0.58          | bushing |

### OUTLINE & Inner Driver I/O

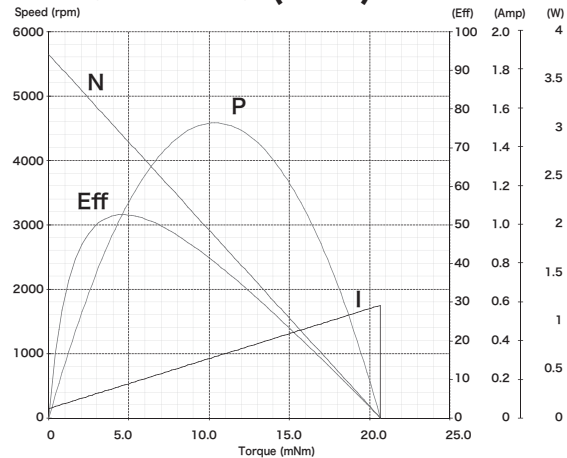


### Typical Performance

#### B2238M-S02 (12V)



#### B2238M-S03 (24V)



### Japan Magnets, Inc

Head Office / Japan Bldg 4F, 1-1646-2, Kamikawa, Suwa, Nagano, Japan zipcode 392-0021

Tel / +81-266-56-1021

Fax / +81-266-56-1430

HP / <http://www.jmi-motion.com>