

Housing $\phi 36 \times L40$ mm DC Brushless Motor B3640M

OUTPUT : 2W~16W (APPROX)

Bearing TYPE : ボールベアリング /Ball Bearing

WEIGHT(APPROX) : 145g

代表的用途 /Typical Application

家電機器 / 白物家電、調理家電、ファン、理美容家電 / 事務機器 / プリンタ、スキャナ、プロジェクタ、医療機器 / ポンプ、血圧計、攪拌器、分離器 / DIY / 電動ポンプ、電動ドライバ

Household App / Home Electric App, Electric Cooker, Fan, Hair Dryer,

Office Automation Equipment / Printer, Scanner, Projector

Medical App / Medical Pump, Blood Pressure Meter, Medical Stirrer/ DIY App / Electric Pump, Screw Driver

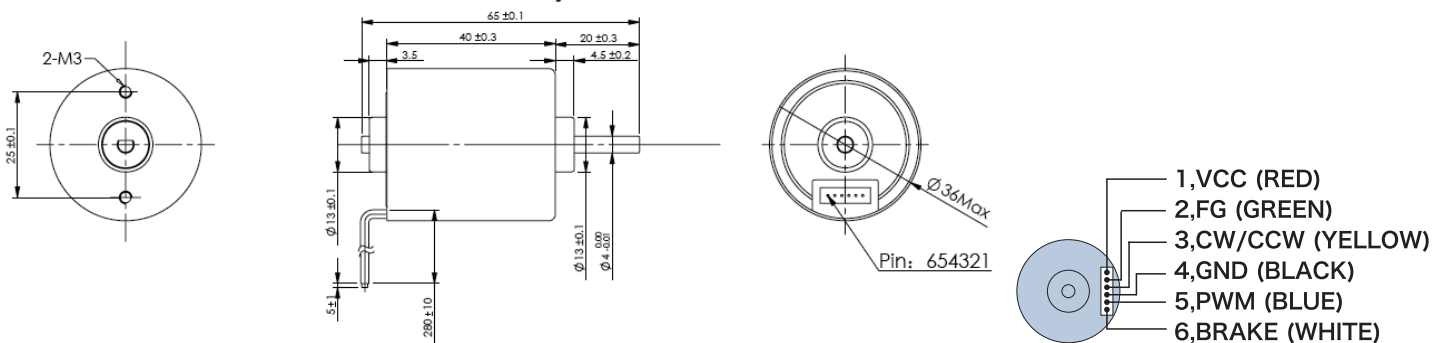
Characteristic : CW/CCW, Signal function available(FG), PWG speed control, Locked rotor protection, IC Heat protection, Life expectancy 10,000-30,000hrs,



Motor Parameter

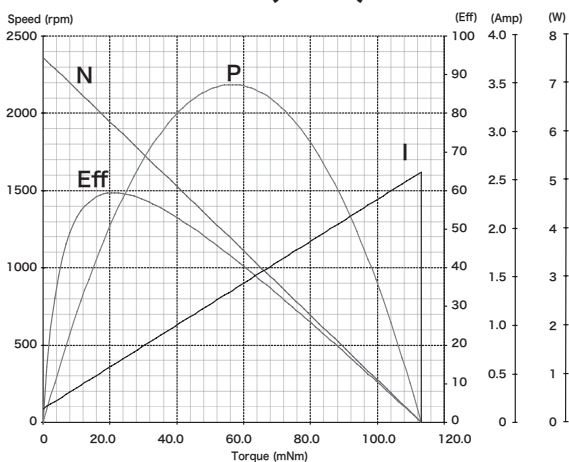
No.	Standard Model No.	Product No.	Outline Size			Rated Voltage (V)	No Load		at Max Efficiency				at Stall			Configuration	
			Motor OD (mm)	Housing Length (mm)	Shaft OD (mm)		No Load Speed (rpm)	No Load Current (A)	Rated Speed (rpm)	Rated Current (A)	Rated Torque		Output (W)	Starting Torque			
											(mN·m)	(g·cm)		(mN·m)	(g·cm)		
21	B3640M	-S01	36.0	40	4	12	2360	0.14	1830	0.69	25.5	260.0	4.90	113.10	1153.3	2.60	ball bearing
22		-S02	36.0	40	4	24	6140	0.26	5190	0.85	23.5	239.6	12.80	152.70	1557.1	4.00	ball bearing

OUTLINE & Inner Driver I/O

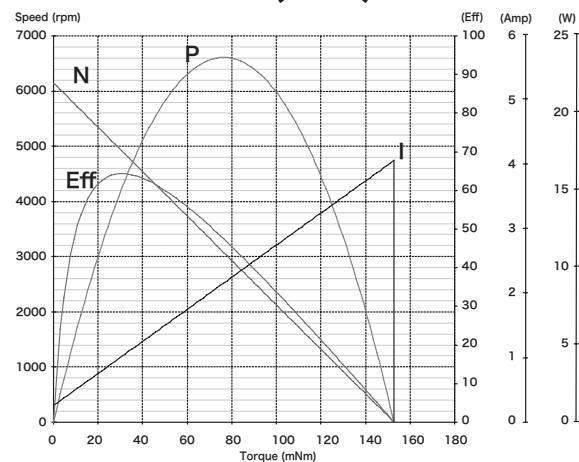


Typical Performance

B3640M-S01 (12V)



B3640M-S02 (24V)



Japan Magnets.,Inc

Head Office / Japan Bldg 4F, 1-1646-2, Kamikawa, Suwa, Nagano, Japan zipcode 392-0021

Tel /+81-266-56-1021

Fax /+81-266-56-1430

HP / <http://www.jmi-motion.com>