

Housing $\phi 42 \times L35$ mm DC Brushless Motor B4235M

OUTPUT : 5W~35W (APPROX)

Bearing TYPE : ボールベアリング /Ball Bearing

WEIGHT(APPROX) : 160g

代表的用途 /Typical Application

家電機器 / 白物家電、調理家電、ファン、理美容家電 / 事務機器 / プリンタ、スキャナ、プロジェクト、医療機器 / ポンプ、血圧計、攪拌器、分離器 / DIY/ 電動ポンプ、電動ドライバ

Household App / Home Electric App, Electric Cooker, Fan, Hair Dryer

Office Automation Equipment / Printer, Scanner, Projector

Medical App / Medical Pomp, Blood Pressure Meter, Medical Stirrer/ DIY App / Electric Pump, Screw Driver

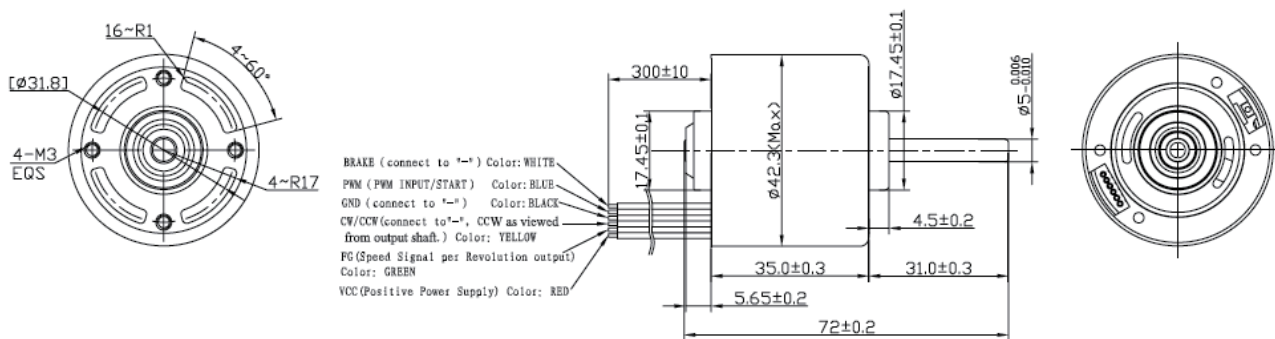


Characteristic : CW/CCW, Signal function available(FG), PWG speed control, Locked rotor protection, IC Heat protection, Life expectancy 10,000-30,000hrs,

Motor Parameter

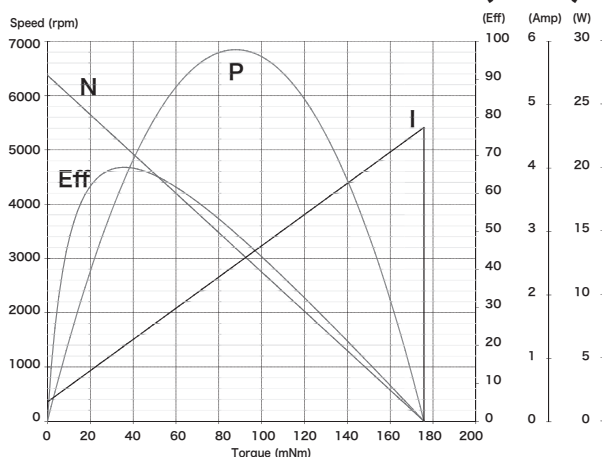
No.	Standard Model No.	Product No.	Outline Size			Rated Voltage (V)	No Load		at Max Efficiency				at Stall			Configuration	
			Motor OD (mm)	Housing Length (mm)	Shaft OD (mm)		No Load Speed (rpm)	No Load Current (A)	Rated Speed (rpm)	Rated Current (A)	Rated Torque		Output (W)	Starting Torque			Starting Current (A)
											(mN-m)	(g · cm)		(mN-m)	(g · cm)		
31	B4235M	-S01	42.3	35	5	24	4960	0.19	3330	1.17	49.0	499.7	17.10	147.20	1501.0	3.20	ball bearing
32		-S02	42.3	35	5	12	2860	0.21	2050	1.16	40.2	409.9	8.62	141.00	1437.8	3.55	ball bearing

OUTLINE & Inner Driver I/O



Typical Performance

B4235M-S01 Customized (24V)



Japan Magnets.,Inc

Head Office / Japan Bldg 4F, 1-1646-2, Kamikawa, Suwa, Nagano, Japan zipcode 392-0021

Tel /+81-266-56-1021

Fax /+81-266-56-1430

HP / <http://www.jmi-motion.com>