

## Housing $\phi 90 \times L80$ mm DC Brushless Motor B9080M

OUTPUT : 40W~450W (APPROX)

Bearing TYPE : ボールベアリング /Ball Bearing

WEIGHT(APPROX) : 1200g

代表的用途 /Typical Application

家電機器 / 白物家電、調理家電、ファン、理美容家電 / FA 機器 / AGV、搬送機器、  
医療機器 / ポンプ、血圧計、攪拌器、分離器 / DIY/ 電動ポンプ、電動ドライバ

Household App / Home Electric App, Electric Cooker, Fan,

Factory Automation Equipment / AGV, Motion Control /

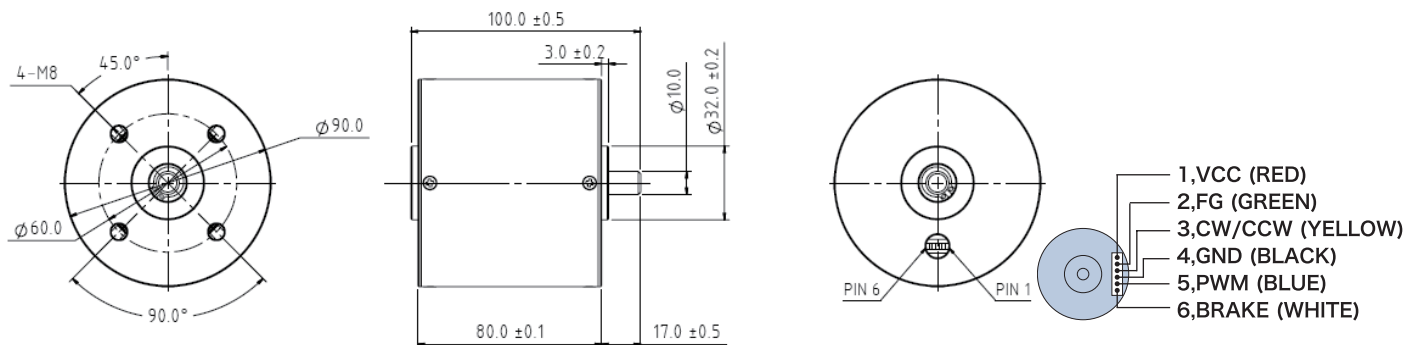
Medical App / Medical Pump, Blood Pressure Meter, Medical Stirrer/ DIY App / Electric Pump, Screw Driver

Characteristic : CW/CCW, Signal function available(FG), PWG speed control, Locked rotor protection, IC Heat protection, Life expectancy 10,000-30,000hrs,

### Motor Parameter

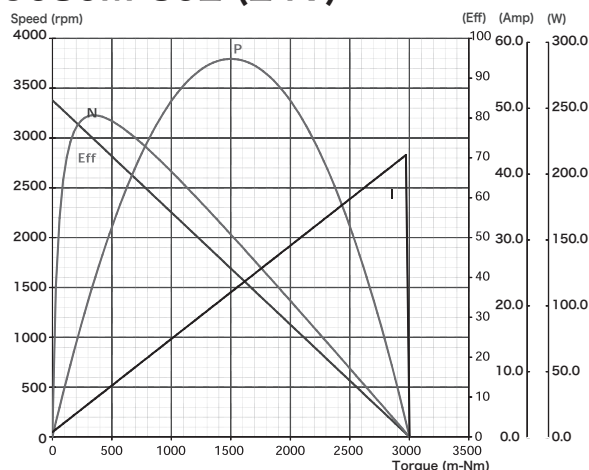
No.	Standard Model No.	Product No.	Outline Size			Rated Voltage (V)	No Load		at Max Efficiency					at Stall			Configuration
			Motor OD (mm)	Housing Length (mm)	Shaft OD (mm)		No Load Speed (rpm)	No Load Current (A)	Rated Speed (rpm)	Rated Current (A)	Rated Torque		Output (W)	Starting Torque		Starting Current (A)	
											(mN-m)	(g · cm)		(mN-m)	(g · cm)		
1	B9080M	-S01	90.0	80	10	12	2050	0.91	1750	5.22	250.0	2549.3	45.7	1670.00	17029	29.70	ball bearing
2		-S02	90.0	80	10	24	3380	0.74	2820	7.75	500.0	5098.5	147.5	3002.00	30611	42.80	ball bearing
3		-S03	90.0	80	10	36	4520	0.65	3500	10.60	800.0	8157.6	292.9	3535.00	36046	44.80	ball bearing
4		-S04	90.0	80	10	48	4950	0.54	3900	10.70	1000.0	10197.0	408.0	4731.00	48242	48.80	ball bearing

### OUTLINE & Inner Driver I/O

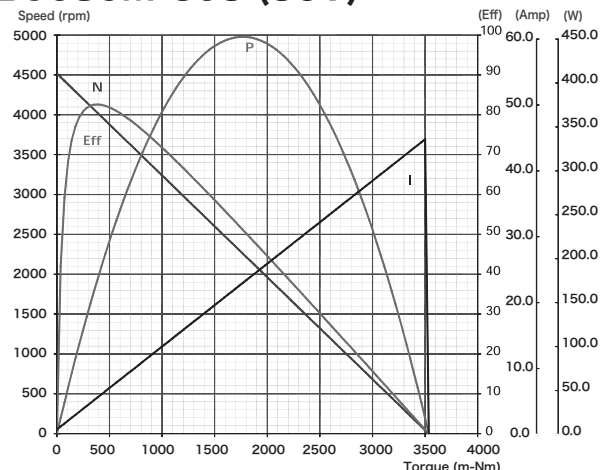


### Typical Performance

#### B9080M-S02 (24V)



#### B9080M-S03 (36V)



Japan Magnets, Inc

Head Office / Japan Bldg 4F, 1-1646-2, Kamikawa, Suwa, Nagano, Japan zipcode 392-0021

Tel /+81-266-56-1021

Fax /+81-266-56-1430

HP / <http://www.jmi-motion.com>