

Housing $\phi 6.0 \times L10.2$ mm DC Coreless Motor **CL-QX6D**

OUTPUT : 0.2W (APPROX)

BRUSH TYPE : 貴金属ブラシ / Precious Metal Brush Motor

WEIGHT (APPROX) : 1.2g



代表的用途 / Typical Application

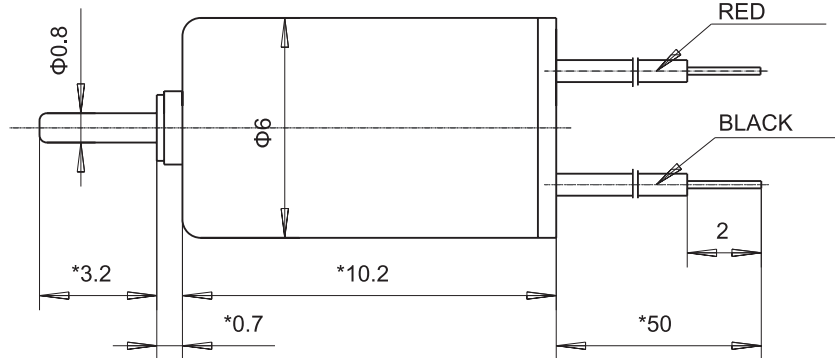
家電機器 / バイブレーションモータ
 小型模型、玩具 / ラジコン、鉄道模型

Household App / Vib-Motion
 Model & Toy /

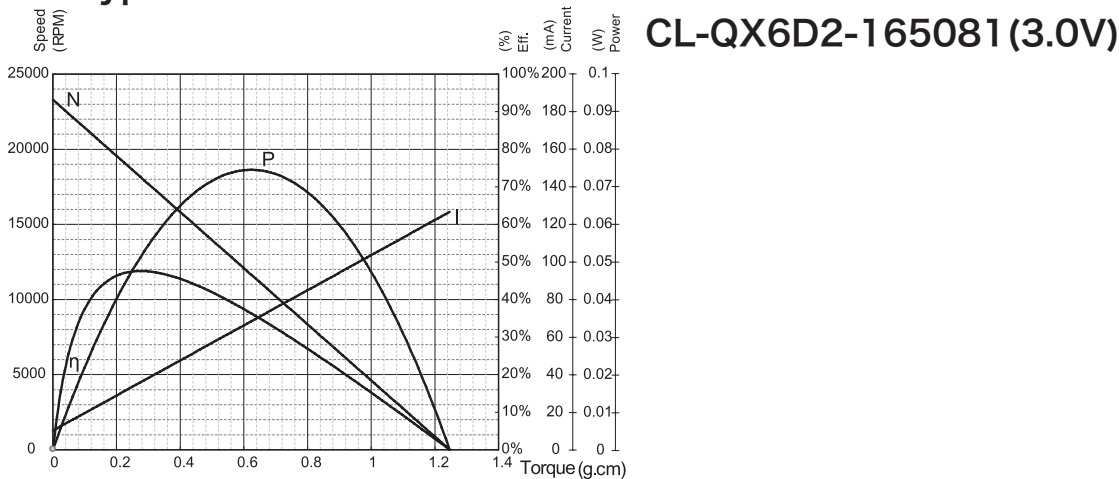
Motor Parameter

No.	Standard Model No.	Product No.	Outline Size			Rated Voltage (V)	No Load		at Max Efficiency				at Stall			
			Motor OD (mm)	Housing Length (mm)	Shaft OD (mm)		No Load Speed (rpm)	No Load Current (A)	Rated Speed (rpm)	Rated Current (A)	Rated Torque (mN-m, g·cm)		Output (W)	Starting Torque (mN-m, g·cm)		Starting Current (A)
18	CL-QX6D2	045112	6.0	10.2	0.8	1.3	35500	0.09	25200	0.22	0.0314	0.32	0.08	0.11	1.10	0.54
19	CL-QX6D2	045112			0.8	1.3	34400	0.07	25900	0.21	0.0363	0.37	0.10	0.15	1.51	0.62
20	CL-QX6D2	070141			0.8	3	52200	0.08	39100	0.22	0.0667	0.68	0.27	0.27	2.72	0.67
21	CL-QX6D2	084121			0.8	3	41300	0.04	31400	0.13	0.0539	0.55	0.18	0.23	2.30	0.43
22	CL-QX6D2	112111			0.8	3	37100	0.03	27500	0.09	0.0373	0.38	0.11	0.14	1.47	0.26
23	CL-QX6D2	145081			0.8	3	25300	0.02	18500	0.05	0.0304	0.31	0.06	0.11	1.16	0.14
24	CL-QX6D2	165081			0.8	3	23300	0.01	18100	0.04	0.0275	0.28	0.05	0.12	1.25	0.13

OUTLINE



Typical Performance



Japan Magnets.,Inc

Head Office / Japan Bldg 4F, 1-1646-2, Kamikawa, Suwa, Nagano, Japan zipcode 392-0021

Tel /+81-266-56-1021

Fax /+81-266-56-1430

HP / <http://www.jmi-motion.com>