

### Housing $\phi 6.0 \times L12.8$ mm DC Coreless Motor **CL-QX6P**

OUTPUT : 0.4W (APPROX)

BRUSH TYPE : 貴金属ブラシ / Precious Metal Brush Motor

WEIGHT (APPROX) : 1.6g



#### 代表的用途 / Typical Application

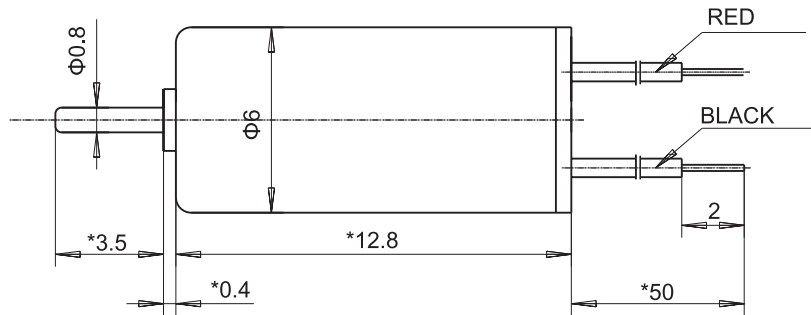
家電機器 / パイプレーションモータ  
 小型模型、玩具 / ラジコン、鉄道模型

Household App / Vib-Motion  
 Model & Toy /

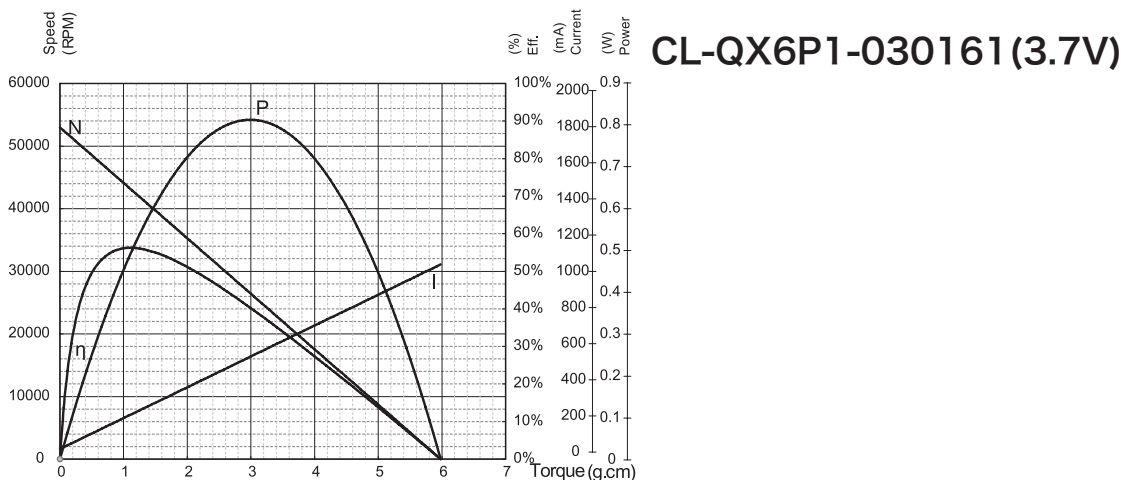
#### Motor Parameter

No.	Standard Model No.	Product No.	Outline Size			Rated Voltage	No Load		at Max Efficiency				at Stall			
			Motor OD	Housing Length	Shaft OD		No Load Speed	No Load Current	Rated Speed	Rated Current	Rated Torque		Output	Starting Torque		Starting Current
			(mm)	(mm)	(mm)		(rpm)	(A)	(rpm)	(A)	(mN-m)	(g · cm)	(W)	(mN-m)	(g · cm)	(A)
39	CL-QX6P1	030161	6.0	12.8	0.8	1.5	21500	0.03	17300	0.10	0.0412	0.42	0.07	0.21	2.15	0.42
40	CL-QX6P1	030161			0.8	3.7	53000	0.05	43200	0.24	0.11	1.11	0.49	0.59	5.98	1.04

#### OUTLINE



#### Typical Performance



#### Japan Magnets.,Inc

Head Office / Japan Bldg 4F, 1-1646-2, Kamikawa, Suwa, Nagano, Japan zipcode 392-0021

Tel /+81-266-56-1021

Fax /+81-266-56-1430

HP / <http://www.jmi-motion.com>