

Housing ϕ 15mm DC Brush Motor xFF-030/ -050/ -060

OUTPUT : 0.1W~4W (APPROX)

BRUSH TYPE : 貴金属ブラシ /Precious Metal Brush Motor

WEIGHT(APPROX) : 11.0g(FF-030)/18.0g(FF-050)

代表的用途 /Typical Application

オーディオ関連機器 / 車載用 CD プレーヤー、
光学機器 / デジタルカメラ、カムコーダ、
家電機器全般 / 精密測定器、小型模型、玩具 /

Audio&Visual Equipment、CarCD Player、
Digital Camera、Camcorder、
Household App、Precision Instrument、Model&Toy

Motor Parameter

No.	Standard Model No.	Product No.	Outline Size			Rated Voltage (V)	No Load		at Max Efficiency				at Stall				
			Motor OD	Housing Length	Shaft OD		No Load Speed (rpm)	No Load Current (A)	Rated Speed (rpm)	Rated Current (A)	Rated Torque		Output (W)	Starting Torque		Starting Current (A)	
			(mm)	(mm)	(mm)		(rpm)	(A)	(rpm)	(A)	(mN-m)	(g·cm)	(W)	(mN-m)	(g·cm)	(A)	
Typical Grade xFF-030																	
77	DC-TFF-030SA	10180	15.4	18.5	1.5	3.0	7900	0.03	6278	0.11	0.27	2.80	0.18	1.37	14.00	0.45	
78	DC-TFF-030PA	10185			1.5	4.5	11200	0.05	8802	0.16	0.52	5.50	0.50	2.30	26.00	0.62	
79	DC-TFF-030PA	09120			1.5	7.5	15267	0.05	12098	0.18	0.81	8.71	1.08	4.00	42.00	0.70	
80	DC-QFF-030DAV	08250	15.5		1.5	2.5	4100	0.03	3000	0.07	0.20	2.09	0.06	0.74	7.60	0.19	
81	DC-QFF-030DAV	09210			1.5	5.0	10500	0.05	8100	0.16	0.45	4.59	0.38	2.01	20.50	0.55	
82	DC-QFF-030DAV	16080			1.5	4.5	23000	0.15	19000	0.71	0.95	9.72	1.90	5.46	55.70	3.36	
Typical Grade xFF-050																	
83	DC-TFF-050SH	2230	15.4	26.8	1.5	1.2	9102	0.19	7094	0.67	0.65	6.61	0.48	2.94	30.00	2.40	
84	DC-TFF-050SH	09200			1.5	12.0	14420	0.04	11784	0.17	1.24	12.70	1.54	6.86	70.00	0.80	
85	DC-TFF-050SH	15650			1.5	3.7	15650	0.21	13142	1.10	1.96	20.00	2.70	12.30	120.00	5.80	
86	DC-QFF-050DHV	08250	15.5	26.9	1.5	12.0	10300	0.04	8200	0.14	1.05	10.73	0.90	5.19	53.00	0.54	
87	DC-QFF-050DHV	11170			1.5	7.0	10300	0.05	8300	0.19	0.88	8.97	0.76	4.59	46.80	0.82	
88	DC-QFF-050DHV	14115			1.5	10.0	21000	0.08	17900	0.47	1.69	17.21	3.16	11.60	118.40	2.76	
89	DC-QFF-050DHV	13130			1.5	4.0	7600	0.05	6100	0.20	0.68	6.95	0.44	3.44	35.10	0.82	
90	DC-TFF-050SA	1617			28.1	1.5	3.0	9245	0.06	7745	0.30	0.72	7.30	0.58	4.41	45.00	1.60
91	DC-TFF-050SA	10215				1.5	10.0	10600	0.05	8370	0.20	1.55	15.80	1.36	7.35	75.00	0.76
Typical Grade xFF-060																	
92	DC-TFF-060SA	2928	16.6	31.1	1.5	1.2	8480	0.21	6792	0.84	0.87	8.90	0.62	4.41	45.00	3.40	
93	DC-TFF-060SA	3017			1.5	1.2	8700	0.20	7035	0.82	0.84	8.62	0.62	4.41	45.00	3.50	

Japan Magnets.,Inc

Head Office / Japan Bldg 4F, 1-1646-2, Kamikawa, Suwa, Nagano, Japan zipcode 392-0021

Tel /+81-266-56-1021

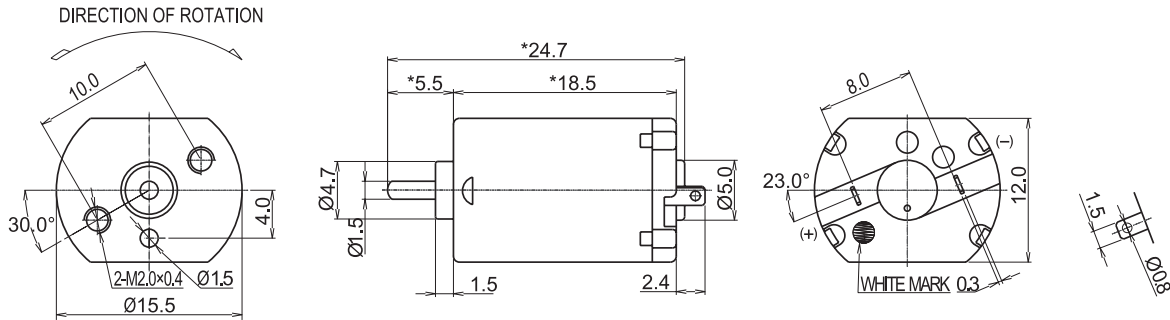
Fax /+81-266-56-1430

HP / <http://www.jmi-motion.com>

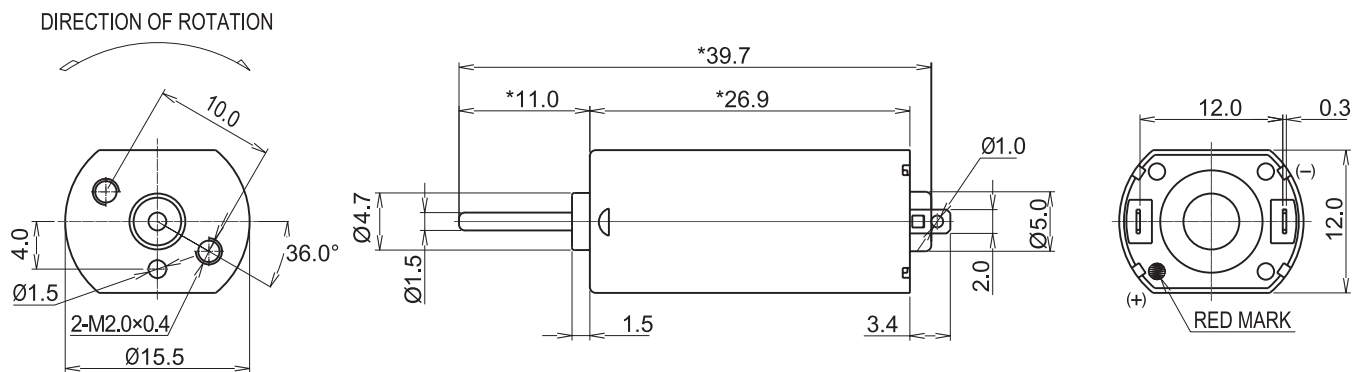
Housing ϕ 15mm DC Brush Motor xFF-030/ -050/ -060

OUTLINE

DC-QFF-030DAV

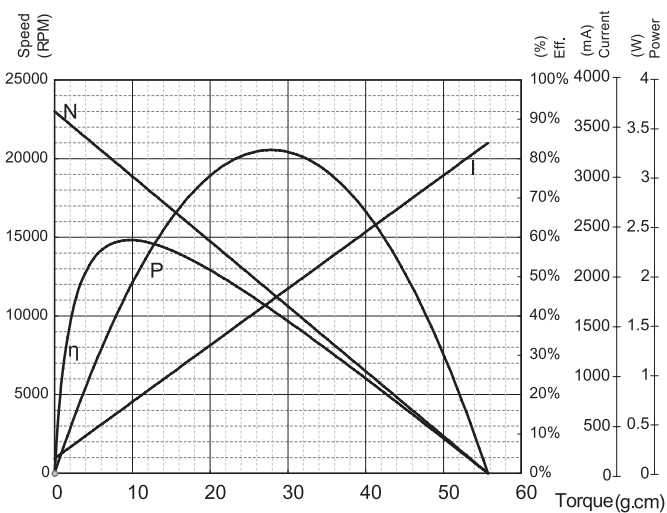


DC-QFF-050DHV

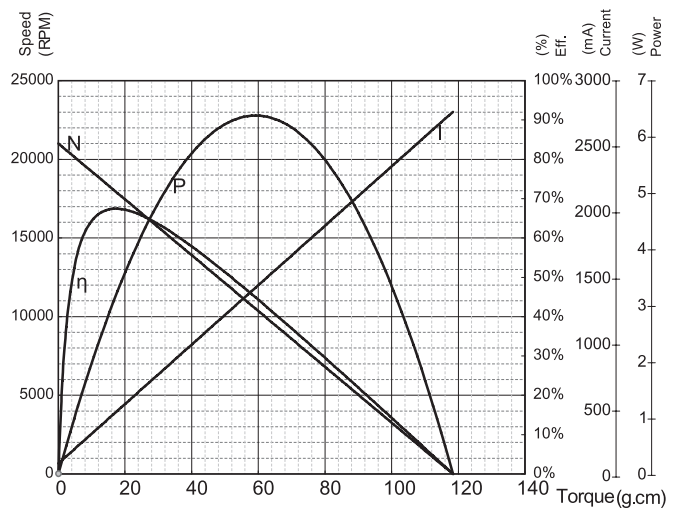


Typical Performance

DC-QFF-030DAV-16080(4.5V)



DC-QFF-050DHV-14115(10V)



Japan Magnets.,Inc

Head Office / Japan Bldg 4F, 1-1646-2, Kamikawa, Suwa, Nagano, Japan zipcode 392-0021

Tel /+81-266-56-1021

Fax /+81-266-56-1430

HP / <http://www.jmi-motion.com>