

Housing ϕ 12mm DC Brush Motor xFF-N10/ N20/ FK-N20

OUTPUT : 0.1W~3W (APPROX)

BRUSH TYPE : 貴金属ブラシ /Precious Metal Brush Motor(FF-N10/20)

: カーボンブラシ /Graphite Brush Motor(FK-N20)

WEIGHT(APPROX) : 4.4g(FF-N10)/5.0g(FF-N20)/5.4g(FK-N20)

代表的用途 /Typical Application

オーディオ関連機器、車載用 CD プレーヤー、
光学機器 / デジタルカメラ、カムコーダ、
家電機器 / 精密測定器、小型模型、玩具 /

Audio&Visual Equipment / CarCD Player、
Digital Camera、Camcorder /
Household App / Precision Instrument、Model&Toy

Motor Parameter

No.	Standard Model No.	Product No.	Outline Size			Rated Voltage	No Load		at Max Efficiency				at Stall			
			Motor OD	Housing Length	Shaft OD		No Load Speed	No Load Current	Rated Speed	Rated Current	Rated Torque		Output	Starting Torque		Starting Current
			(mm)	(mm)	(mm)		(rpm)	(A)	(rpm)	(A)	(mN-m)	(g · cm)	(W)	(mN-m)	(g · cm)	(A)
Typical Model FF-N10																
33	DC-TFF-N10PA	08230	12.0	12.2	1.0	3.0	11600	0.04	8700	0.12	0.22	2.20	0.20	0.88	9.00	0.36
Typical Model FF-N20																
34	DC-QFF-N20DAV	05395	12.0	15.0	1.0	4.8	6700	0.00	5200	0.04	0.16	1.68	0.09	0.77	7.90	0.14
35	DC-QFF-N20DAV	06260			1.0	4.5	9800	0.02	7800	0.06	0.18	1.86	0.15	0.93	9.50	0.25
36	DC-QFF-N20NAV	10150			1.0	4.8	17000	0.04	14300	0.19	0.37	3.81	0.56	2.35	24.00	0.98
37	DC-QFF-N20NAV	16075			1.0	3.6	25000	0.09	21400	0.54	0.56	5.73	1.26	3.90	39.80	3.19
38	DC-TFF-N20PA	11105			1.0	6.0	30100	0.19	23008	0.61	0.92	9.40	2.22	0.39	40.00	2.00
39	DC-TFF-N20PA	08235			1.0	9.6	22233	0.04	18122	0.15	0.52	5.47	1.01	0.29	30.00	0.68
40	DC-TFF-N20PA	1470			1.0	3.0	23000	0.11	18630	0.46	0.54	5.70	1.09	0.29	30.00	2.00
Typical Model FK-N20																
41	DC-QFK-N20NA	09160	12.0	15	1.0	4.5	14500	0.06	11200	0.21	0.38	3.86	0.44	1.68	17.10	0.71
42	DC-QFK-N20NA	12098			1.0	6.7	35000	0.14	28200	0.58	0.73	7.46	2.16	3.75	38.30	2.39
43	DC-QFK-N20NA	19042			1.0	3.7	47000	0.05	43400	0.57	0.37	3.78	1.68	4.80	49.00	6.85
44	DC-QFK-N20QA	19059			1.0	3.6	32000	0.27	26600	1.32	1.02	10.36	2.83	5.97	60.90	6.43

Japan Magnets.,Inc

Head Office / Japan Bldg 4F, 1-1646-2, Kamikawa, Suwa, Nagano, Japan zipcode 392-0021

Tel /+81-266-56-1021

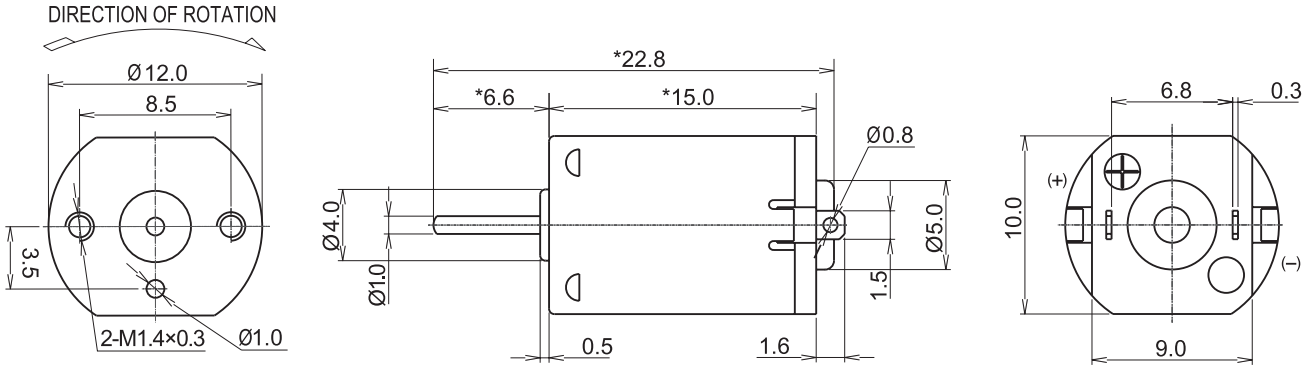
Fax /+81-266-56-1430

HP / <http://www.jmi-motion.com>

Housing ϕ 12mm DC Brush Motor xFF-N10/ N20/ FK-N20

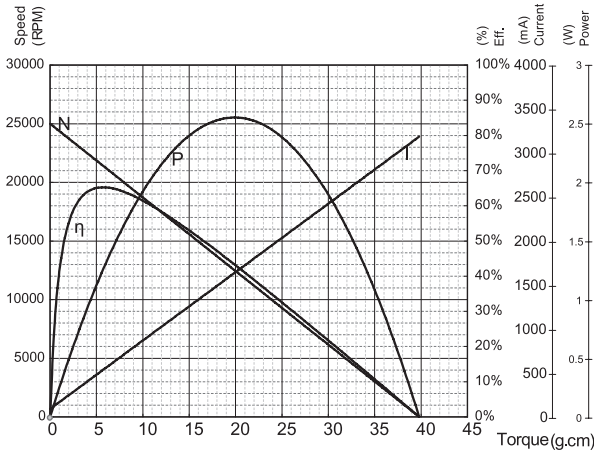
OUTLINE

DC-QFF-N20DAV/ DC-QFK-N20NA

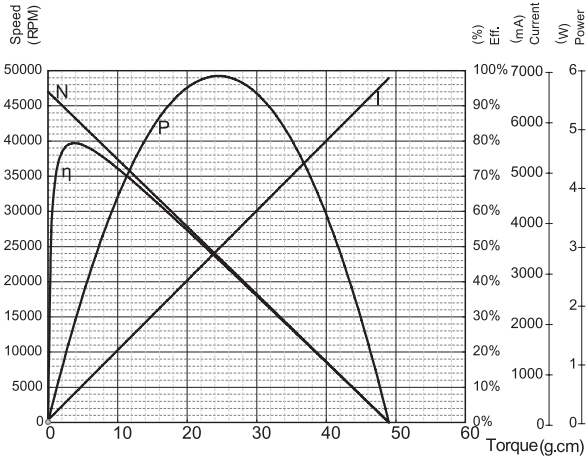


Typical Performance

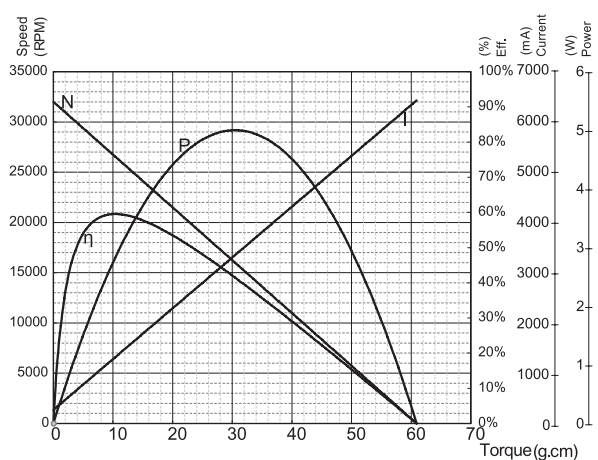
DC-QFF-N20NAV-16075(3.6V)



DC-QFK-N20NA-19042(3.7V)



DC-QFK-N20QA-19059(3.6V)



Japan Magnets.,Inc

Head Office / Japan Bldg 4F, 1-1646-2, Kamikawa, Suwa, Nagano, Japan zipcode 392-0021

Tel /+81-266-56-1021

Fax /+81-266-56-1430

HP / <http://www.jmi-motion.com>